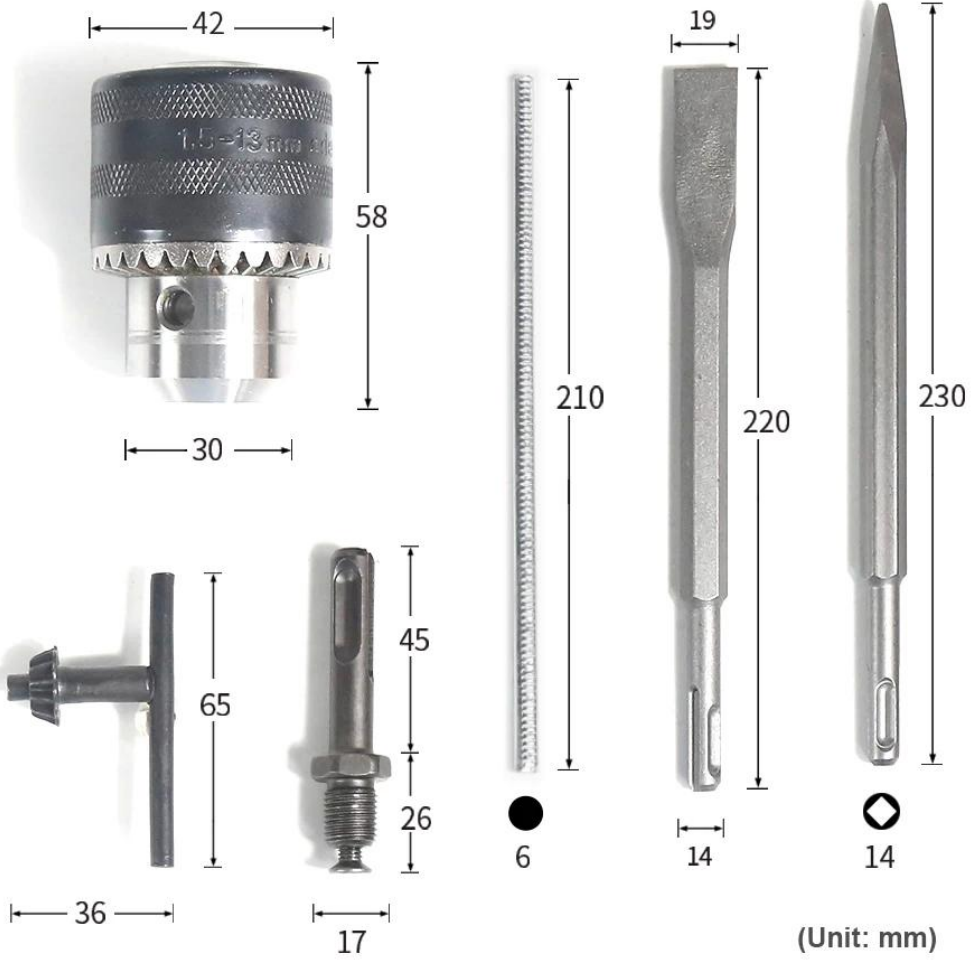
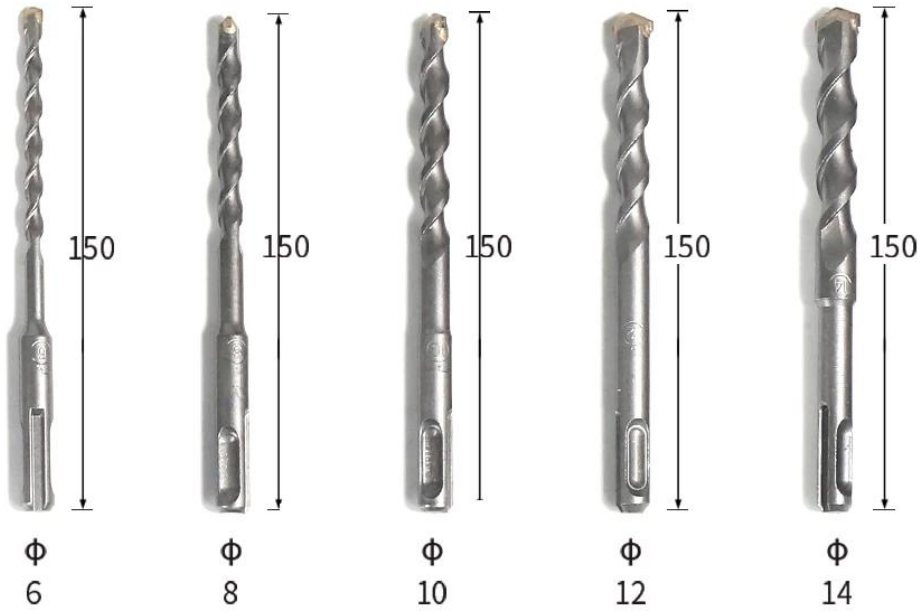


Accessory parameters





Brushless Motor Industrial electric hammer

- Electric drill
- Electric hammer
- Electric pick
- Calibration





Six core upgrades



Brushless Motor



Quenching gear



Three function switching



Steering adjustment



Stepless speed regulation





Large lithium battery



Can be applied to various venues



WHY CHOOSE US

65% increase in output power 
Energy loss reduced by 40% 

528TV Brushless Motor



High torque, no sparks

Low energy consumption
low interference

Maintenance-free
long service life

Other brushed motors



Low torque, will spit fire

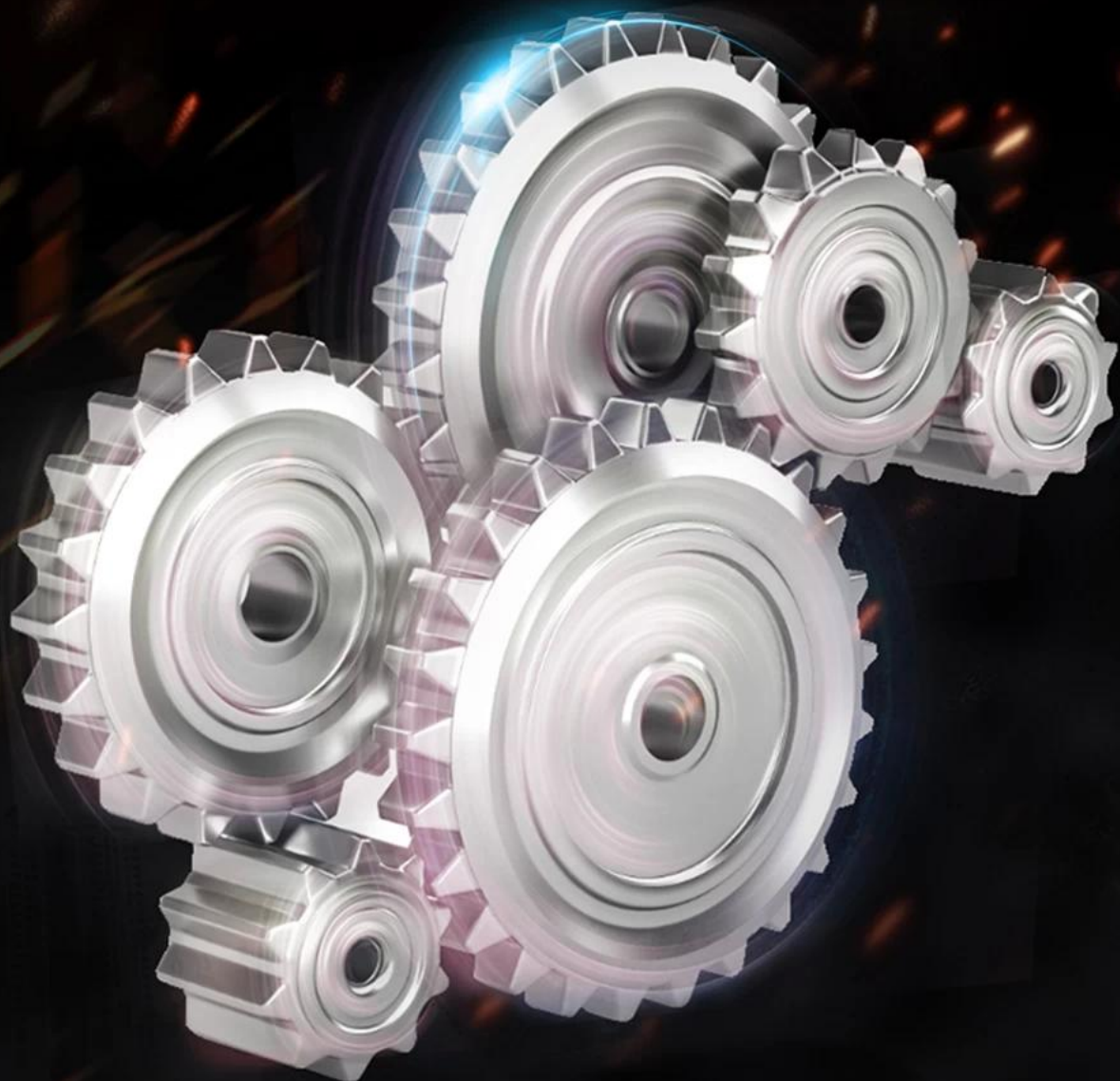
High energy consumption
high interference

Replace carbon brushes frequently
Short life span



Alloy forged steel gear

Secondary quenching, higher strength.



SDS fast clamping

Fast replacement, strong clamping capacity



Large capacity lithium battery

Can work for a long time

6.0AH





Show details



1

Flexible all-inclusive soft rubber shock absorption and non-slip

*Can be disassembled
360° rotating handle*



2





*Infinitely variable speed
Steering adjustment*

3

Three-dimensional cooling holes



4



Product parameters



Brand	BESTOOL	Model	528TV
Torque	28~35N	Use time	Idling 400min
Motor	Brushless Motor	Rotating speed	0~980r/min
Features	Electric drill,Hammer,Electric pick	Hammer frequency	0~6200 times/min
Battery	15*2000mA lithium battery	Drilling diameter	26mm

***Manual measurement may have 1~2cm error**



G.W.:6.6kg



Packaging display



