

PRODUCT SIZE





Brand: BEST

Model Number:706

Melting point:138°C

Ingredients: Sn99% Cu0.7% Ag0.3%

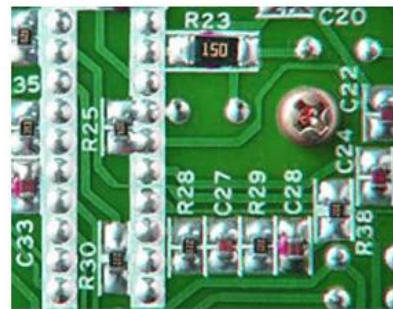
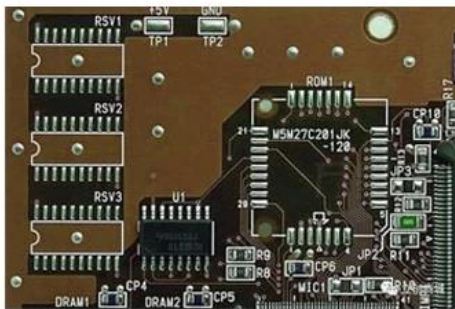
Volume:10cc

Weight: 38g

Having a large insulation resistance does not corrode the PCB, and the requirements for no-cleaning can be achieved.



High impedance, full and bright solder, low residue



PRODUCT PHOTOGRAPH





BFBEL
SOLDER PASTE
MODEL: BS2706
M.P. 138°C
Sn 62%
Pb 36%
Cu 1.7%

BFBEL
SOLDER PASTE
MODEL: BS2706
M.P. 138°C
Sn 62%
Pb 36%
Cu 1.7%

BFBEL
SOLDER PASTE
MODEL: BS2706
M.P. 138°C
Sn 62%
Pb 36%
Cu 1.7%

BFBEL
SOLDER PASTE
MODEL: BS2706
M.P. 138°C
Sn 62%
Pb 36%
Cu 1.7%

BFBEL
SOLDER PASTE
MODEL: BS2706
M.P. 138°C
Sn 62%
Pb 36%
Cu 1.7%