

**SUPERCONDUCTING**

**Stacked banana plug**

# **Female expansion dock interface cable**



**BST-090-JP**





Superconducting  
transmission



High temperature  
resistant



Expansion plug  
1 to 4



Wide range of  
applications

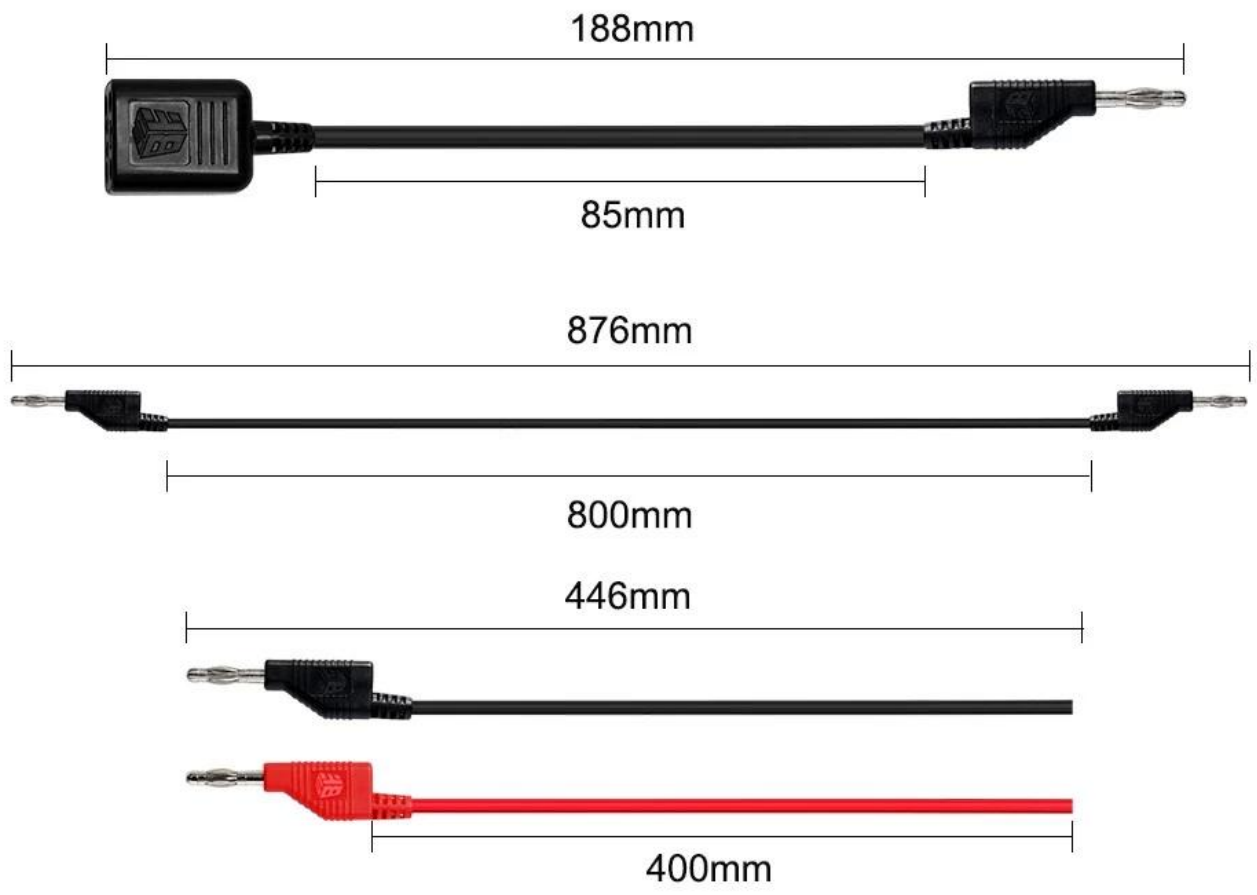


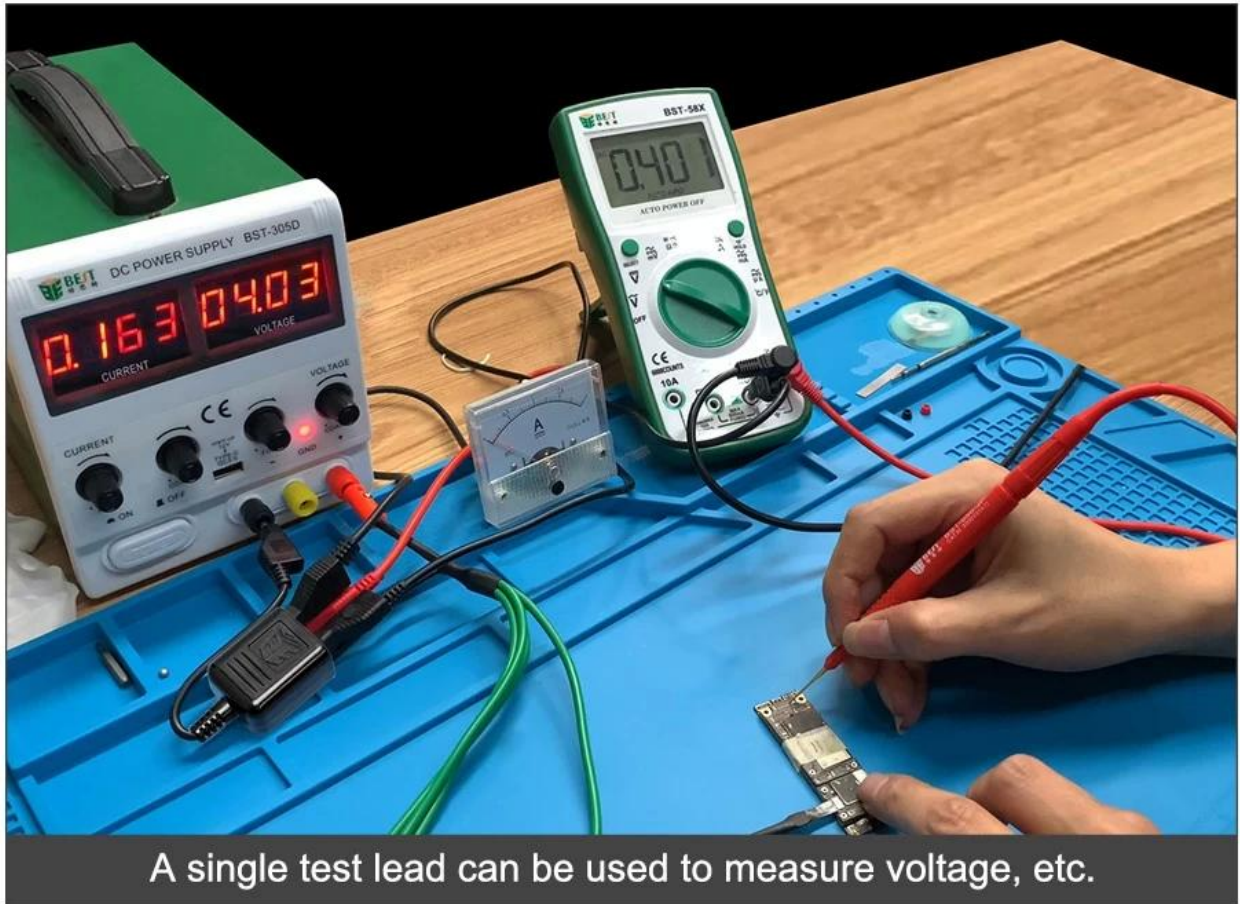
# Parameters



Product Type	Expansion Dock Interface Cable
Product Model	BST-090-JP
Material	Copper+Silicone+PVC+ABS
Safe Voltage	2000V 20A
Dock Size	33*27*20mm
Plug Size	4.0*44mm
Wire Length	8.5cm/80cm/40cm/40cm
Package Size	120*200mm
G. W.	100g
Accessories	Expansion dock*1, 80cm banana test line*1, 40cm banana test line*2



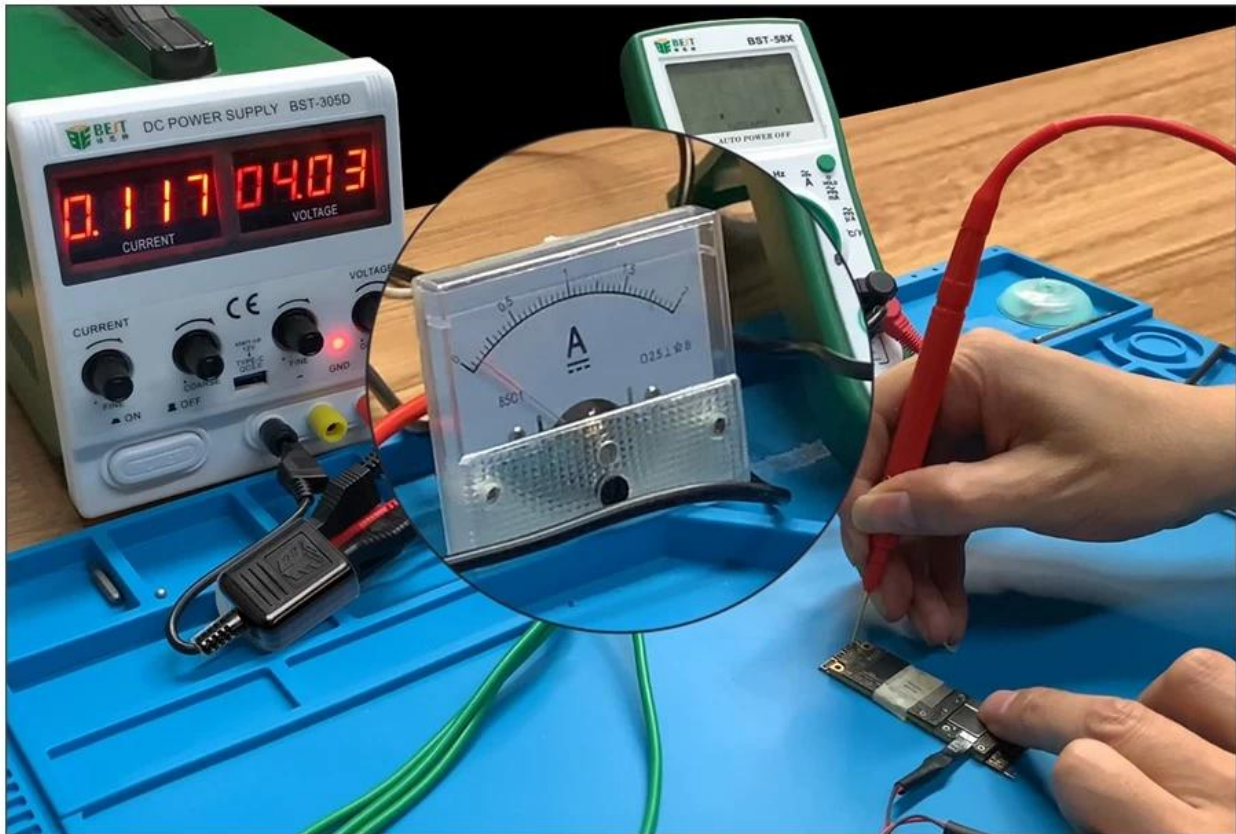




A single test lead can be used to measure voltage, etc.

# Expansion dock usage display

One to four adapter, bidding farewell to the messy wires on the desktop, easier to use one handed testing



A single test lead can trigger the motherboard to start up

< /□□ >

# Package Size

