

863 heat gun nozzle

Stainless steel material, 3 specifications optional
high temperature resistance



Original
Assembly



Durable
material



Safety and
environmental protection



Quality
assurance

High temperature resistant inclined heating gun nozzle

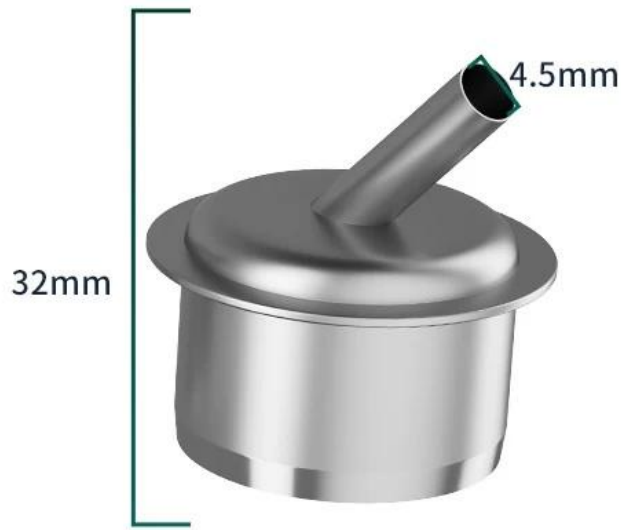
Precision components can be applied





| | | | |
|---------|-----------------|-----------------|-----|
| product | heat gun nozzle | Nozzle diameter | 6mm |
| high | 33mm | weight | 6g |

4.5mm (round hole)



| | | | |
|---------|-----------------|-----------------|-------|
| product | heat gun nozzle | Nozzle diameter | 4.5mm |
| high | 32mm | weight | 6g |

< /p>