

XXXXXXXXXXXXXXXXXXXX

BEST-solder (Tin) paste XXXXXXXXXXXXXXXXXXXXXXXXXXXXXXXXXXXX reballing IC

XXXXXXXXXXXXXXXXXXXXXXXXXXXX

XXXXXXXXXXXXXXXXXXXXXXXXXXXX

XXXXXXXXXXXX: XXXXXXXXXXXXXXXXXXXXXXXXXXXXXXX / XXXXXXXXXXXXXXX / XXXXXXXXXXXXXXXXXXXXXXX / XXXXXXXXXXXXXXXXXXXXXXX
XXXX SMD IC XXX BGA IC XXX XXXXXXXXXXXXXXXXXXXXXXX
XXXXXXXXXXXXXXXXXXXXXXXXXXXX.

XXXXXXXXXXXXXXXXXXXXXXXXXXXX

B
E
S
T
-
7
5

SOLDER PASTE

Lead-free High temperature



500g

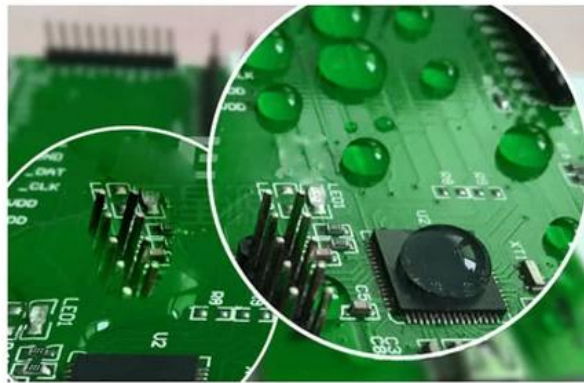
Low residue / Rapid welding / lead free / Solder spot bright / Ag

Product Usage

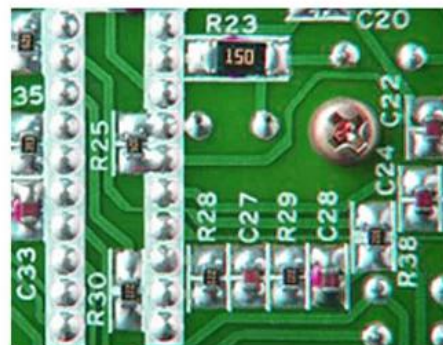
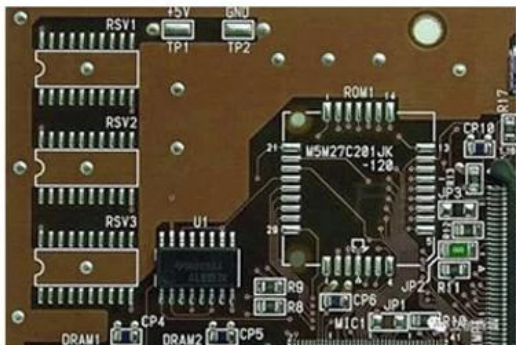


MODEL	BST-705
SHELF LIFE	6 months
INGREDIENT	Sn99/Ag0.3/Cu0.7
WEIGHT	500g
MELTING POINT	217°C

Having a large insulation resistance does not corrode the PCB, and the requirements for no-cleaning can be achieved.



High impedance, full and bright solder, low residue

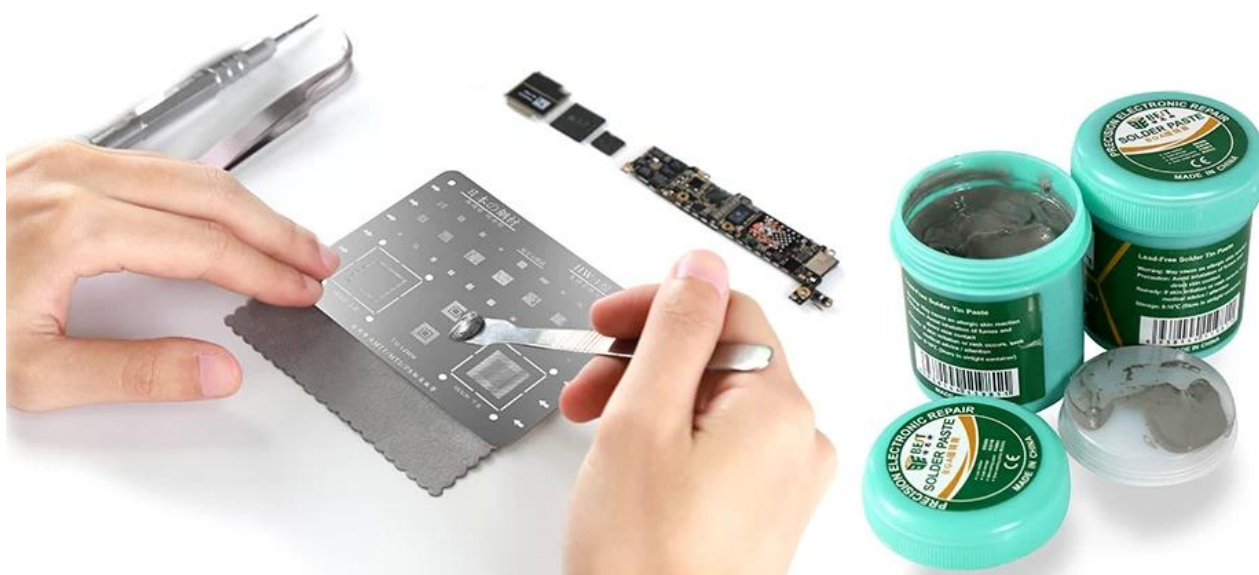


Welding requirements for a wide range of products



TESTING EFFECT

UNIFORM SOLDER JOINT
MEDIUM TEMPERATURE MELTING POINT



PRODUCT SIZE



63.0MM



75MM

52MM

