

BEST



- 1.
- 2.
- 3.
- 4.
- 5.
6. ect.

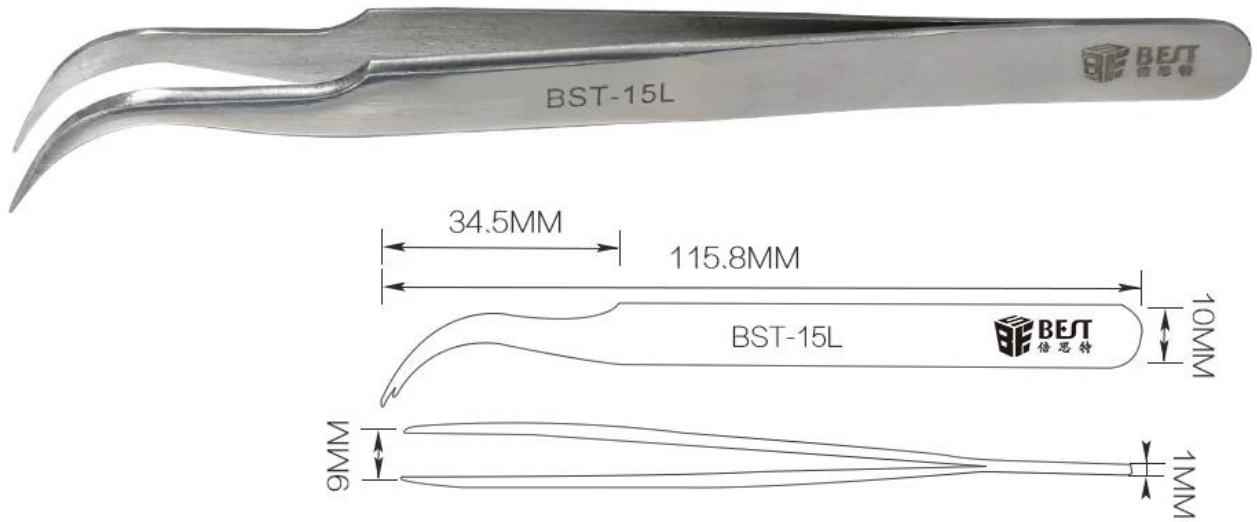


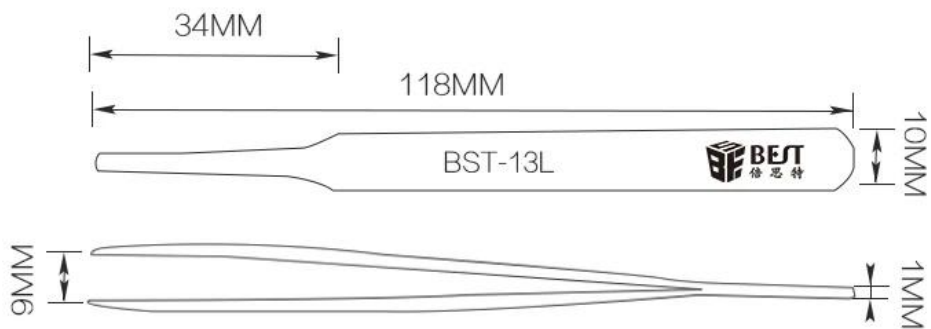
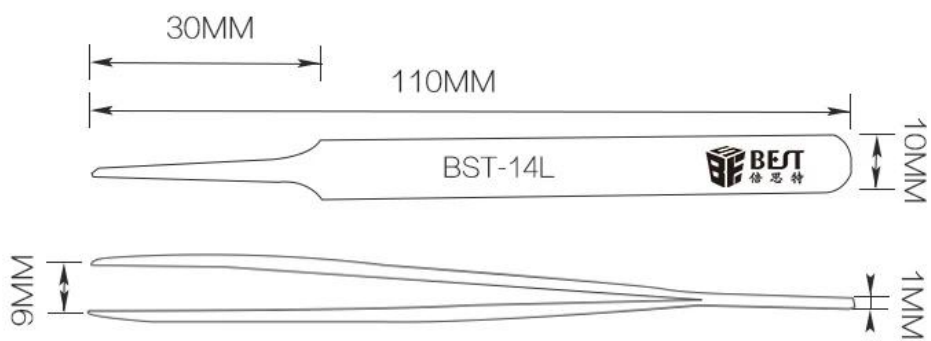
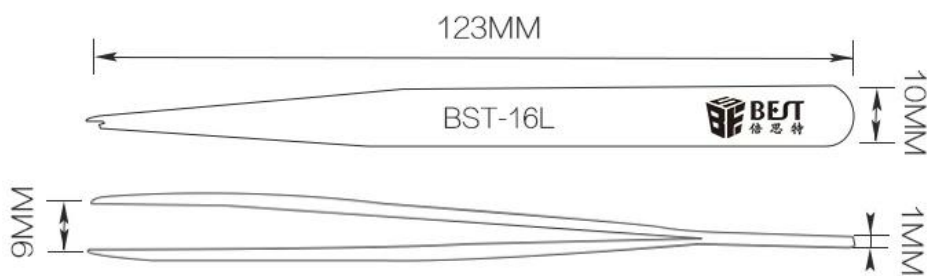
BEST
 :
 :
 (L * W *):
 110mm~160mm
 :
 : 20 /
 : 0.6 ./

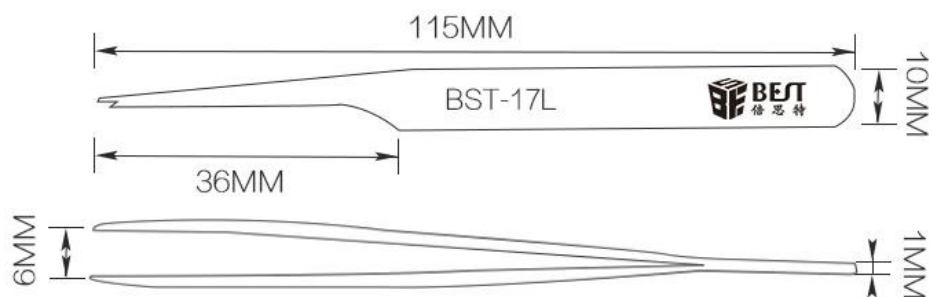
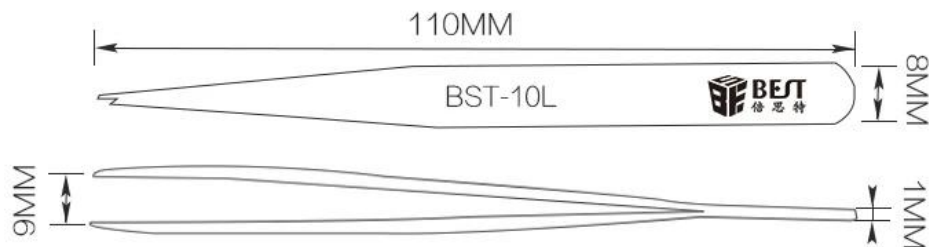
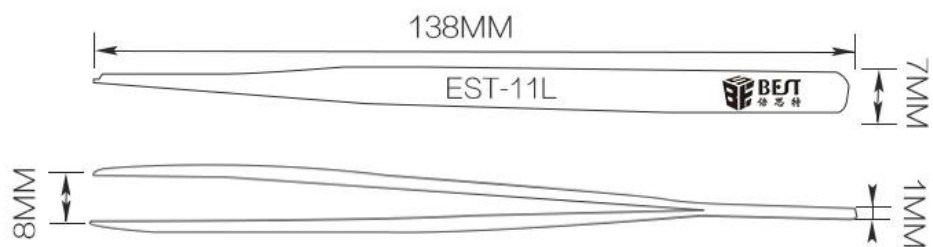
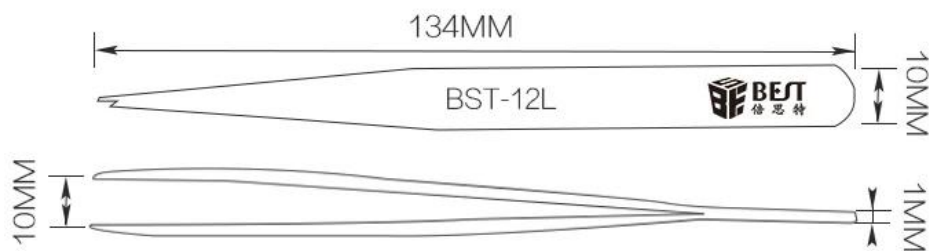
PRODUCT DISPLAY



PRODUCT SIZE







PRODUCT DETAILS



BST-10L



BST-11L



BST-12L



BST-13L



BST-14L



BST-15L



BST-16L



BST-17L

PRODUCT PHOTOGRAPH



PRODUCT PACKAGING

