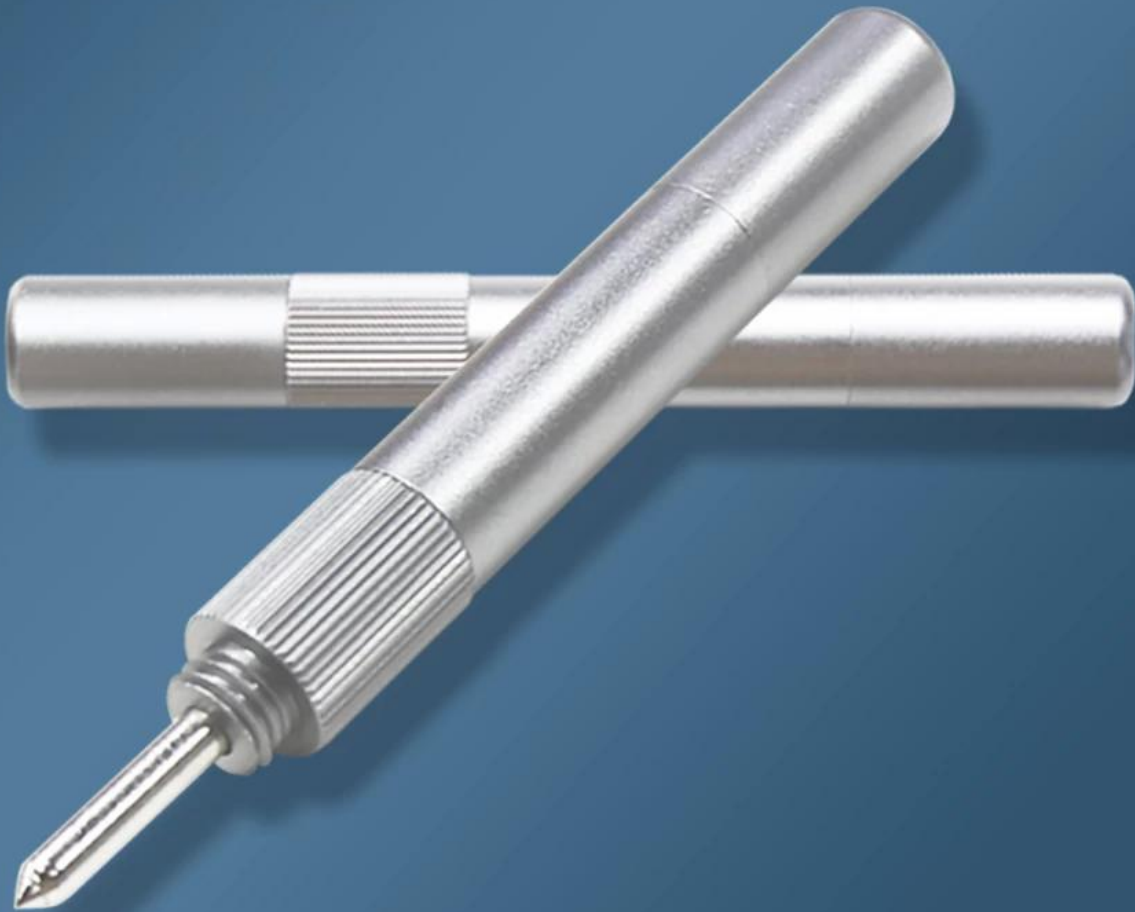


MOBILE PHONE REPAIR DEDICATED

# MOBILE PHONE GLASS BLASTING TOOL

STRENGTH ADJUSTMENT | NON-SLIP HANDLE | EASY AND LABOR-SAVING





STRENGTH ADJUSTMENT



NON-SLIP HANDLE



EASY AND LABOR-SAVING

## PRODUCT PARAMETERS

GLASS  
BLASTING TOOL



PRODUCT NAME	mobile phone glass blasting tool
PRODUCT MODEL	BST-896
PRODUCT NET WEIGHT	47.7g
PRODUCT GROSS WEIGHT	53.6g
PRODUCT SIZE	115mm×14mm×14mm
PACKAGE SIZE	133mm X 17mm×17mm

### ▼ PRODUCT ADVANTAGES

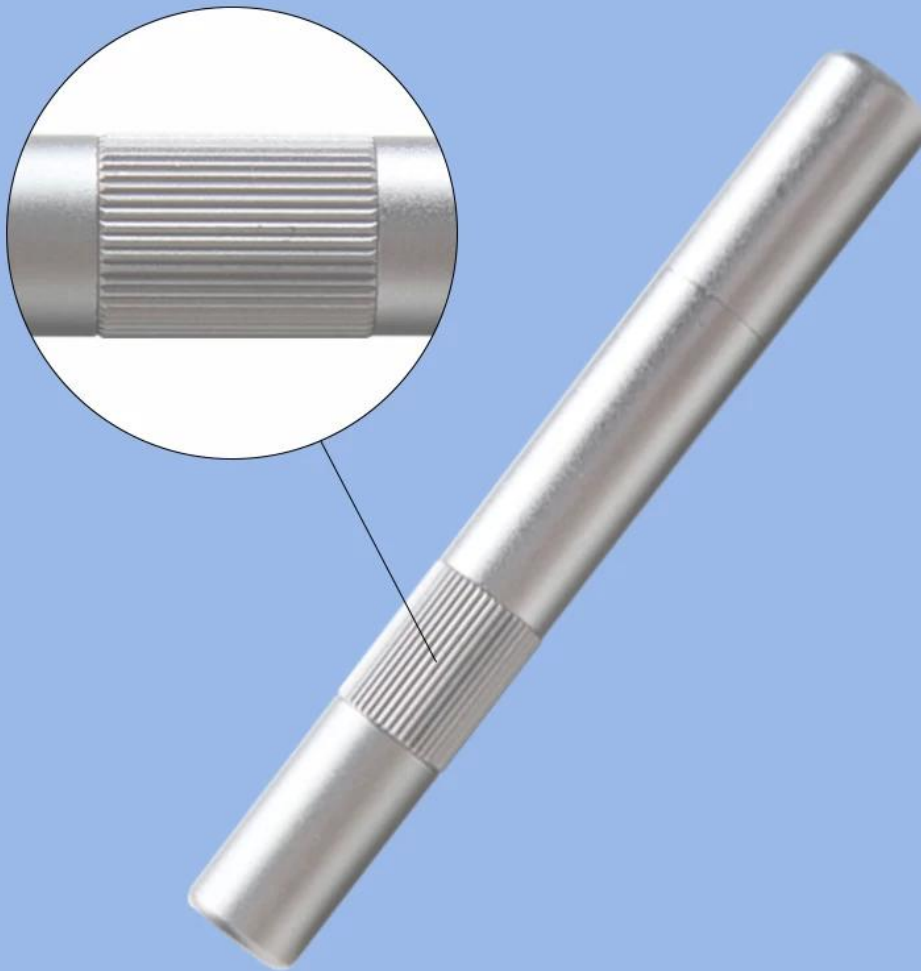
The strength can be adjusted, removing the glass back cover of the mobile phone and the camera will not damage the mobile phone accessories, and you will not worry about the back cover being broken down by excessive force. The handle has a non-slip feature for safety and comfort.

# NON-SLIP HANDLE

GLASS  
BLASTING TOOL

---

Small and portable, sandblasted surface  
environmentally friendly and wear-resistant  
Engraved pattern, safe and anti-skid



# STRENGTH ADJUSTMENT

GLASS  
BLASTING TOOL



Manually adjust the strength  
Rotate tail cap up low pressure  
Rotate tail cap down high pressure



ROTATE UP, LESS FORCE



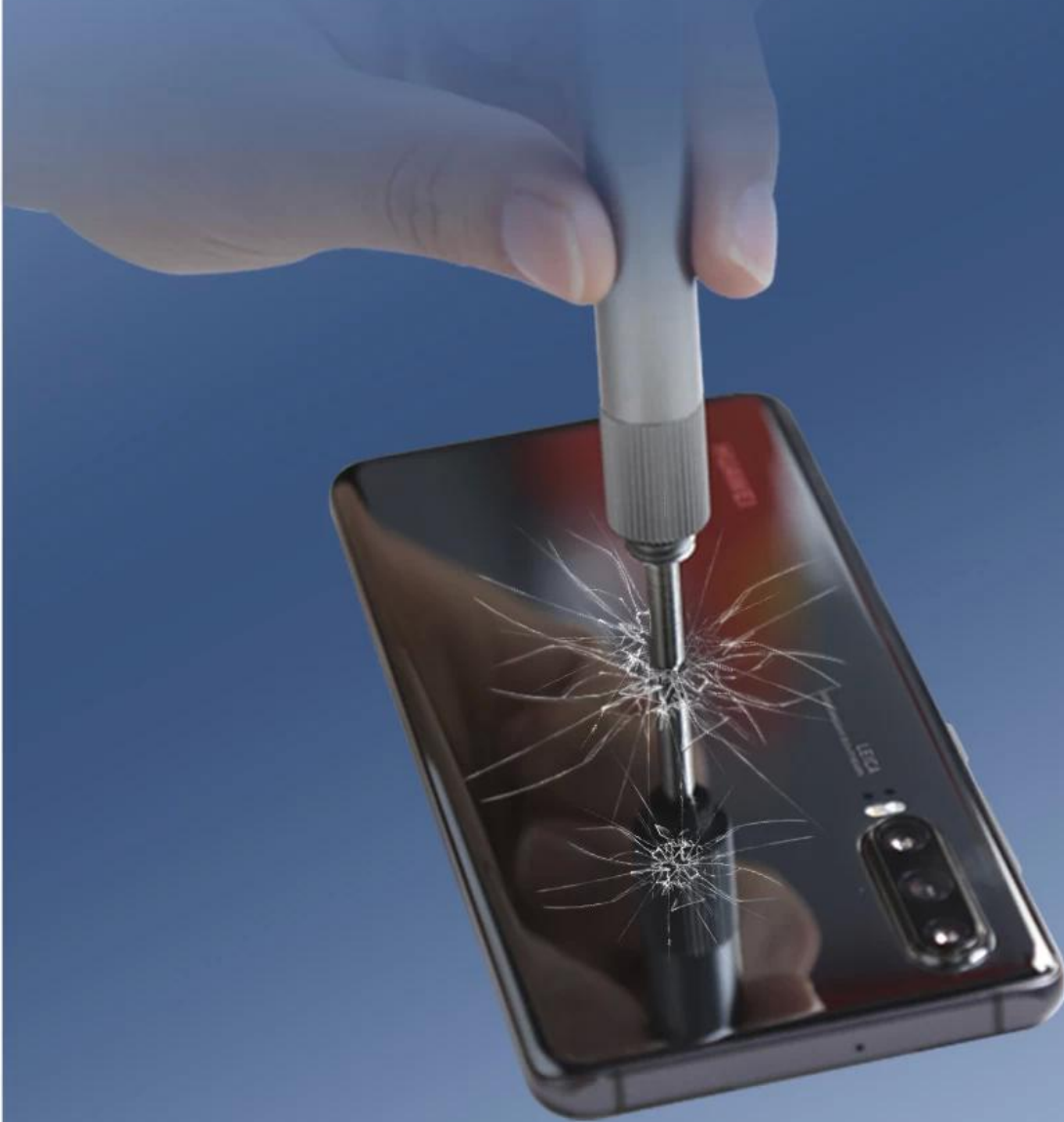
ROTATE DOWN, HIGH PRESSURE

## EASY AND LABOR-SAVING

GLASS  
BLASTING TOOL

---

Break it down with one pressure, no effort required  
Spring press type, safe and not hurting people  
don't worry about excessive force



01



## ERGONOMIC DESIGN



Small and portable  
Sandblasted surface, excellent hand feel  
Rounded corners for a comfortable grip

## SAFETY COVER DESIGN



When not in use, cover the protective cover  
to prevent pen sharps  
sharp accidental injury

02



# PRODUCT SIZE

GLASS  
BLASTING TOOL

