

**Модель: G600**

**Увеличение окуляра: 2X**

**Объективное увеличение: 300X**

**Увеличение инструмента: 600X**

**Вес: 850 г)**

**Пиксели: 3,6 миллиона пикселей**

**Дисплей: 4.3-дюймовый OLED-дисплей**

**Увеличение: 1-600X**


**Расстояние объекта: от 15 мм до  
бесконечности**

**600** times

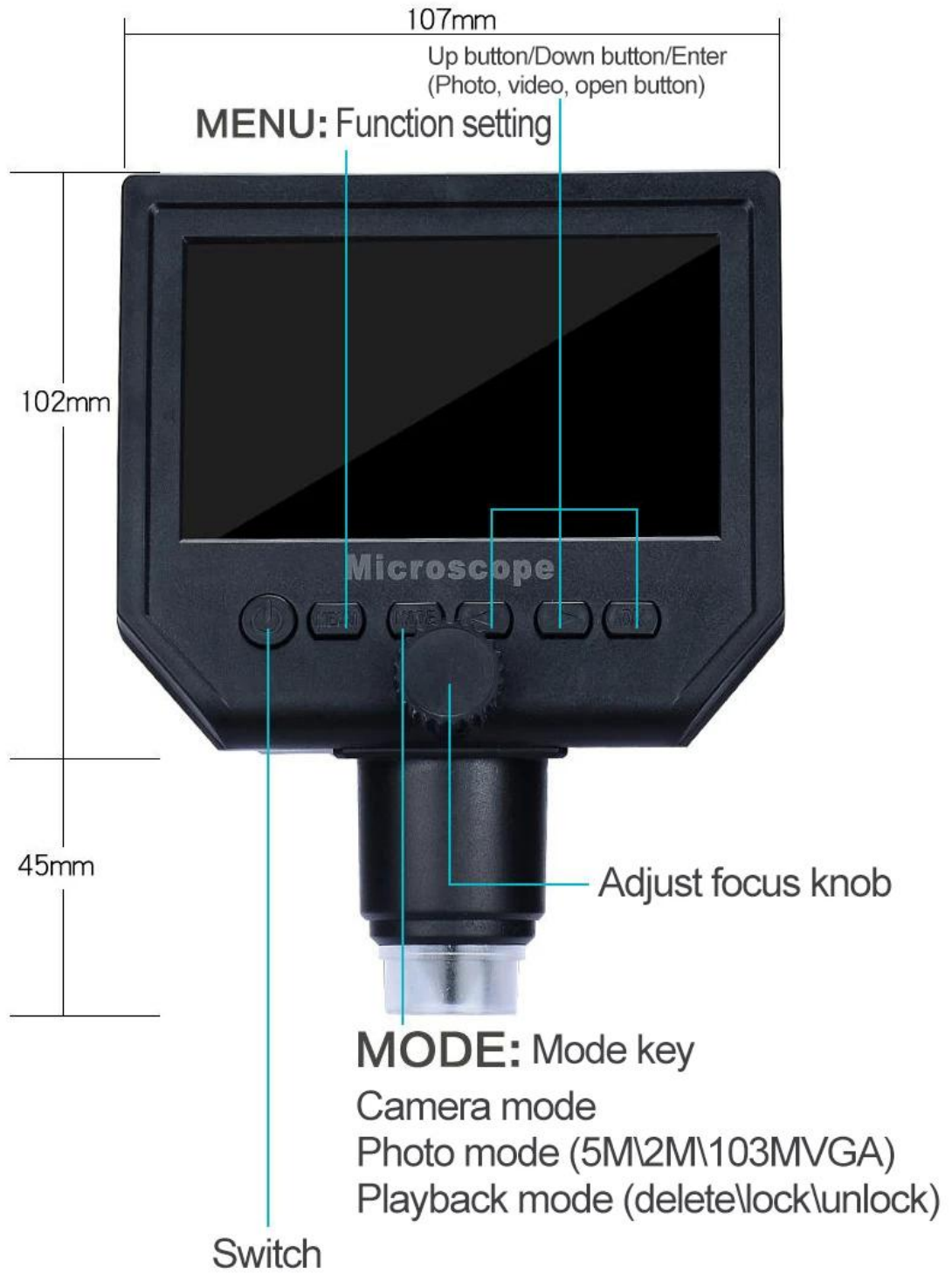
**HD digital microscope**

- ✓ Taking pictures
- ✓ Recording
- ✓ Support TF card
- ✓ Adjust LED lights



Brand:		Model:	BST-600T	Display:	4.3 inch HD display
Pixel:	3.6 million pixels	Multiple:	1-600 times	Weight:	485G
Object distance:	15mm to infinity (different object distances correspond to different multiples)				
Battery:	lithium battery, can work for more than 6 hours				
Accessories:	1. Mirror host, 2. US standard 5V power supply, 3.C7 micrometer, 4. Special lifting bracket, 5. Manual, 6. Carton packaging				
Application range:	Electronic maintenance, precision inspection, scientific and educational microbial analysis, textile prints, jewelry antiques, skin detection, hair analysis, etc.				

PRODUCT DETAILS





**8 LED lamps(long service life)**



This microscope is equipped with a universal gimbal that is very light and powerful and can be attached to any surface, including glass, ceramic, marble, wood, plastic and other



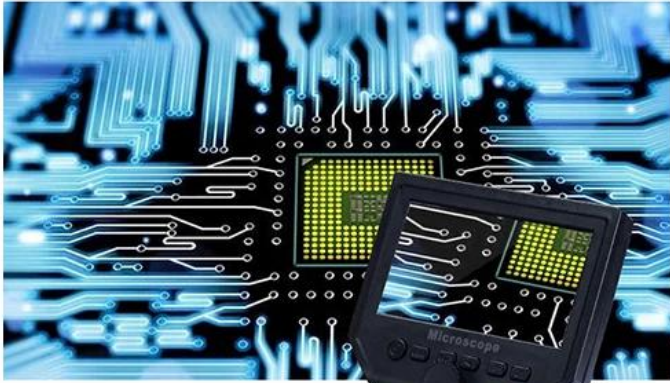
The magic silicone suction cup will not leave any trace on the surface of any material. When the silicone suction cup is used for a long time, the viscosity will be weak. Don't worry, you can restore the viscosity by washing with water.

**Built-in large capacity lithium battery**

It takes about 4 hours to fully charge and more than six hours to work continuously.







**Electronic**



**Microorganism**



**Beauty**



**Precious items**

Freely change the angle, adjust the height, easy to operate, easy to use



## PRODUCT PACKAGING



Weight: 485g

