

**SUPERCONDUCTING**

**Stacked banana plug**

# **Female expansion dock interface cable**



**BST-090-JP**





Superconducting  
transmission



High temperature  
resistant



Expansion plug  
1 to 4



Wide range of  
applications



# 4mm female banana plug dock power adapter

A single test lead can trigger the motherboard to start up

A single test lead can be used to measure voltage, etc

1 expanding to 4



# Product Details



4mm Banana Plug



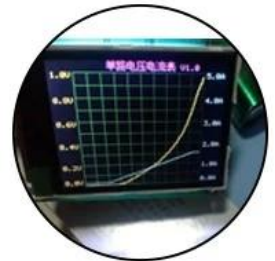
Connected jack

Shared negative electrode

A multimeter can be connected externally, and a single test pen can trigger the mobile phone motherboard to start up. A single test pen can be used to measure voltage, etc.

Expansion jack

Can be connected to external pointer meter, digital display meter, curve meter, Other equipment, etc.





4mm Banana Plug  
Pure copper nickel plated material

PVC material  
High voltage resistant

Anti-slip embossed  
Effort-saving plugging  
and unplugging

Connected jack

Withstand Current : 20A  
Safe Voltage : 2000V



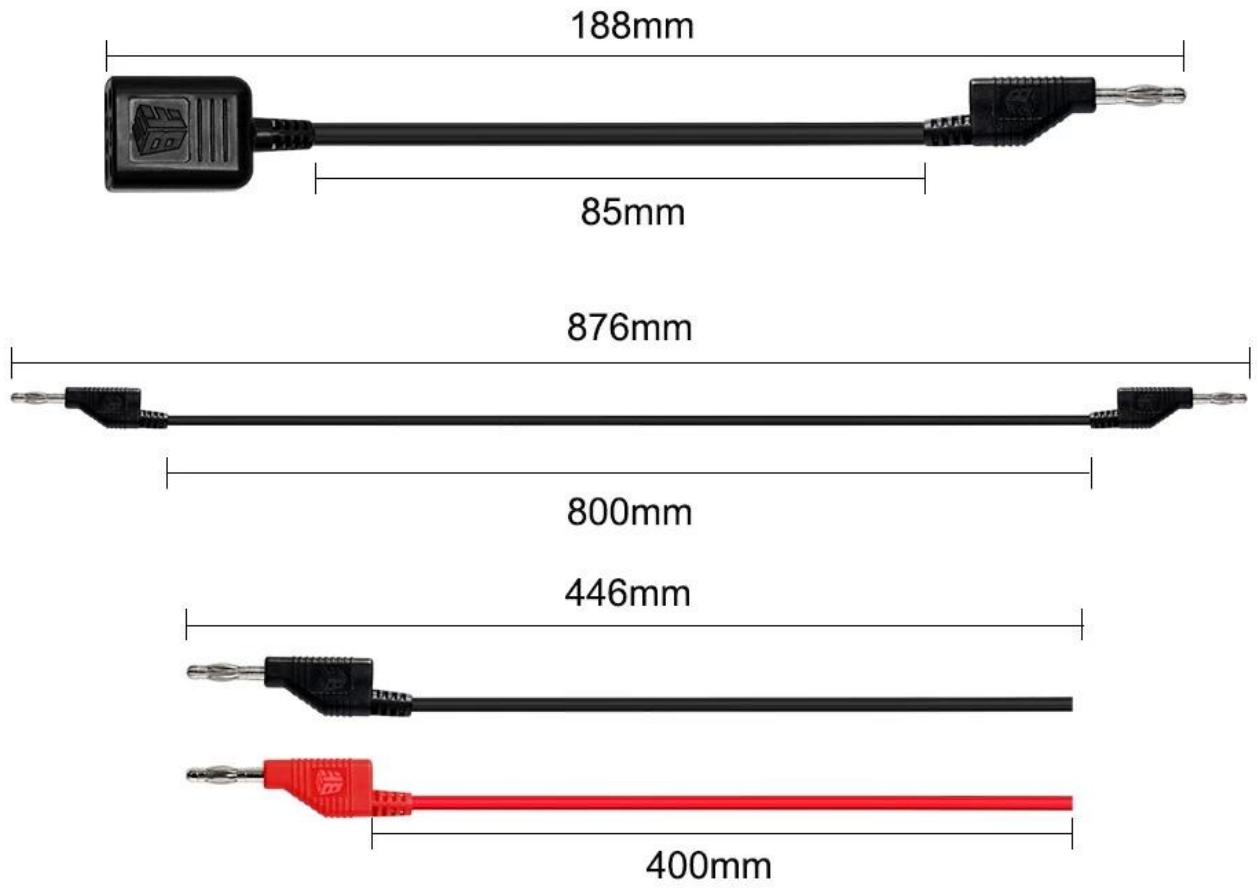
Plug stacking diagram

# Parameters



Product Type	Expansion Dock Interface Cable
Product Model	BST-090-JP
Material	Copper+Silicone+PVC+ABS
Safe Voltage	2000V 20A
Dock Size	33*27*20mm
Plug Size	4.0*44mm
Wire Length	8.5cm/80cm/40cm/40cm
Package Size	120*200mm
G. W.	100g
Accessories	Expansion dock*1, 80cm banana test line*1, 40cm banana test line*2





---

# Product Dimension





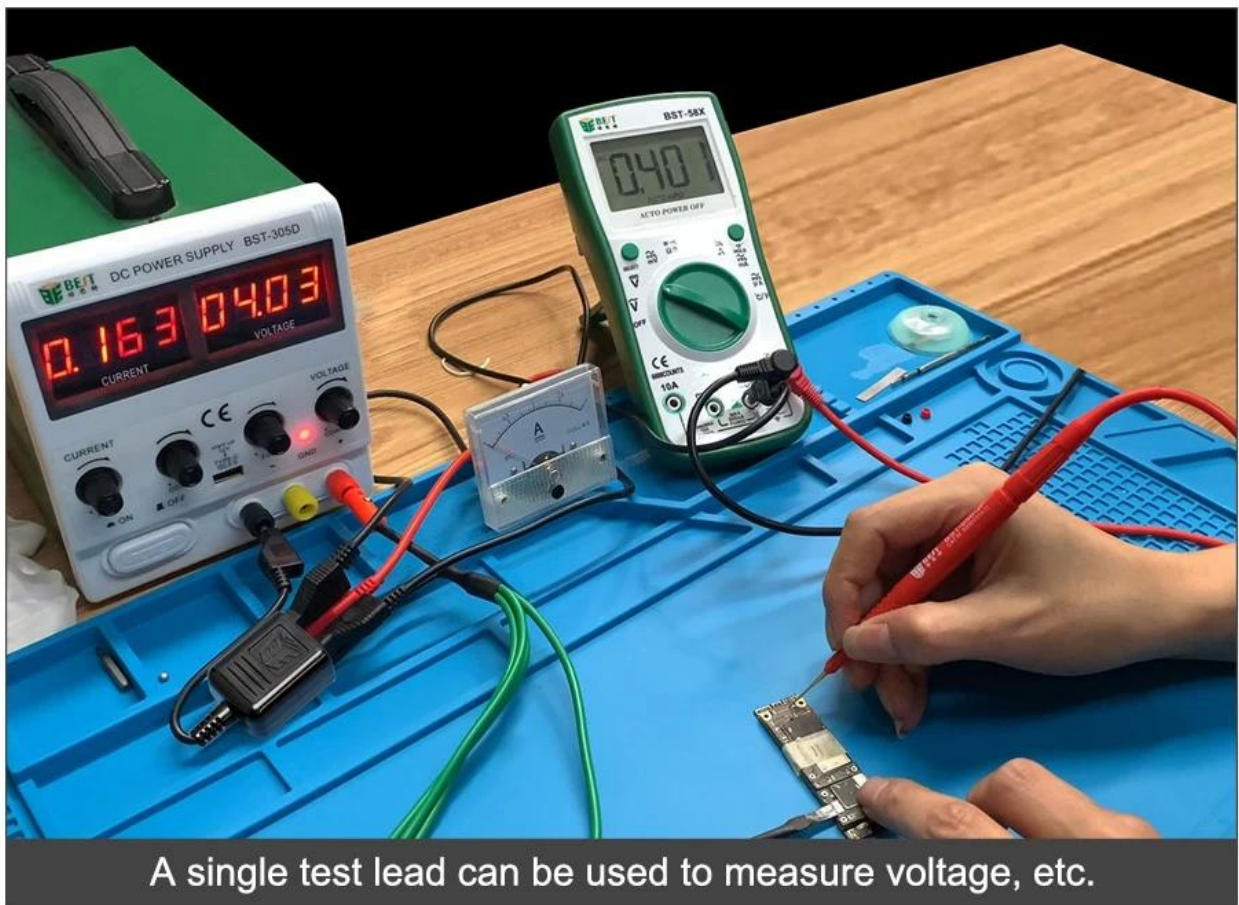
# Environmental soft silicone

Not easy to break, good toughness, strong tensile strength



# Heat and cold resistance

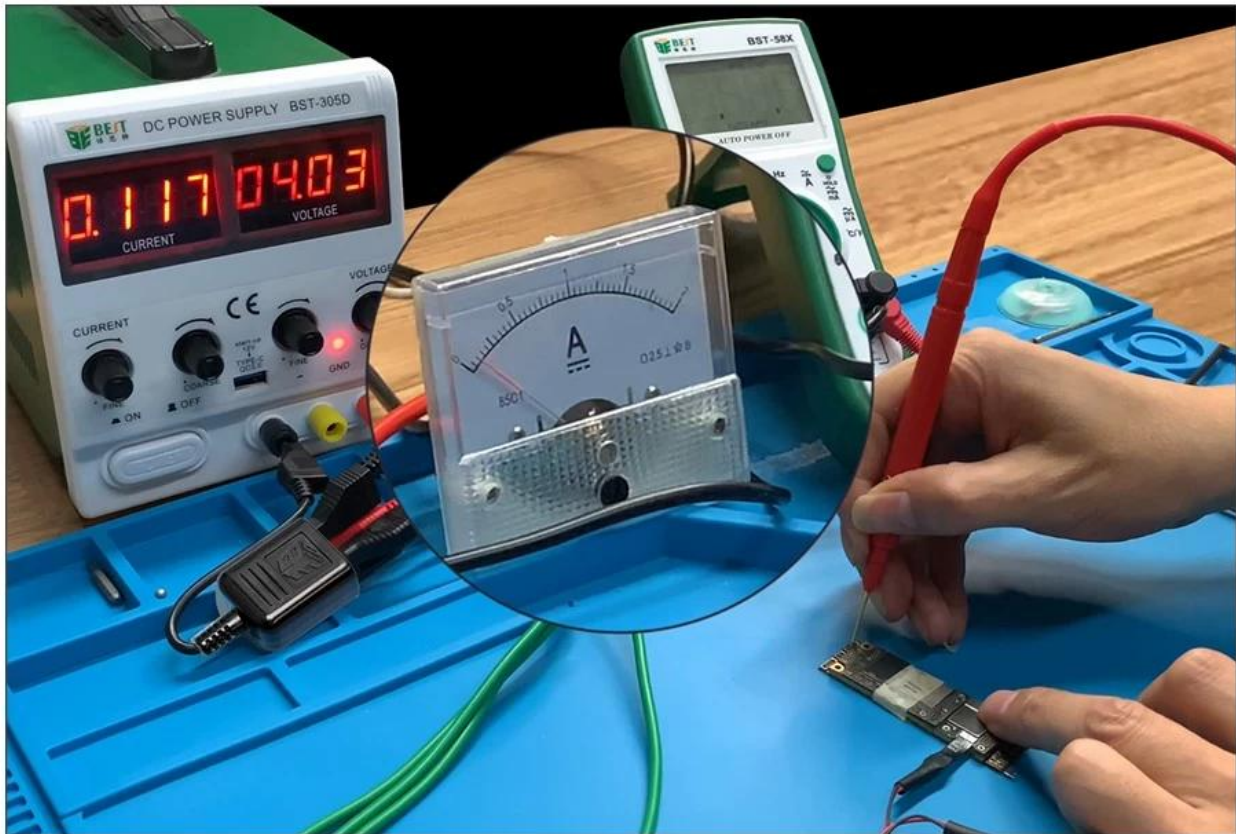
—



A single test lead can be used to measure voltage, etc.

# Expansion dock usage display

One to four adapter, bidding farewell to the messy wires on the desktop, easier to use one handed testing



A single test lead can trigger the motherboard to start up

# Package Size

