

Mobile phone Screen pressing tool

Stable and convenient
Free adjustment



Product features

Four characteristics



Aluminum alloy



Tight fit



Protect your phone



Large working area

Anti abrasion EVA foam



Tight fit, more uniform force applied to mobile phone pressing screen



1



Insert mobile phone

2



Adjust positioning

3



Rotary handle pressing

Rotary pressing lever



Screw type pressing, easy to operate and improve efficiency



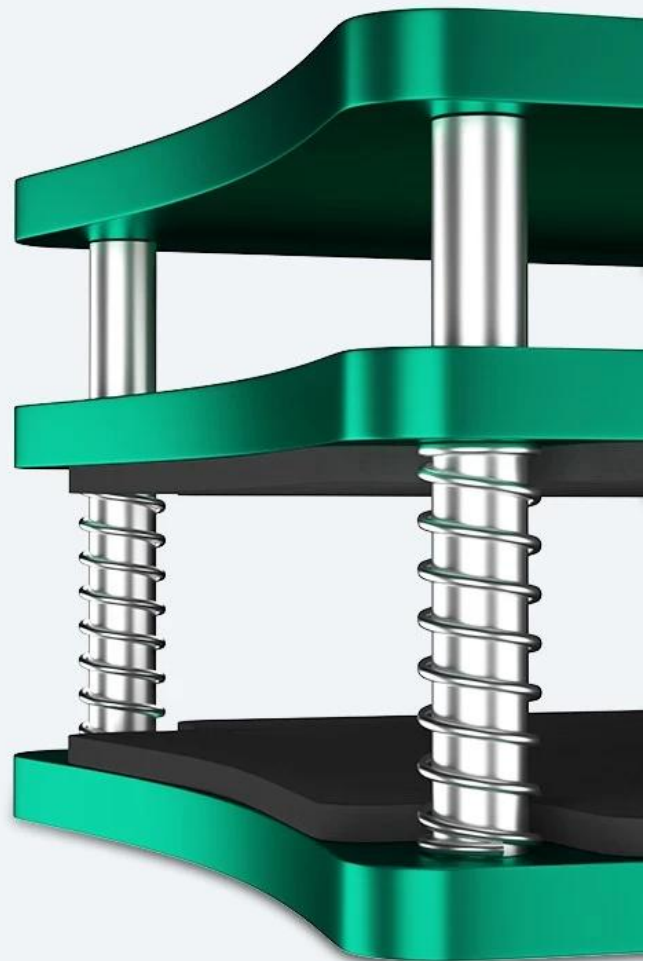
Metal fixed spring



Support the pressing plate, good tensile property,
and support 5000 times of pressing.

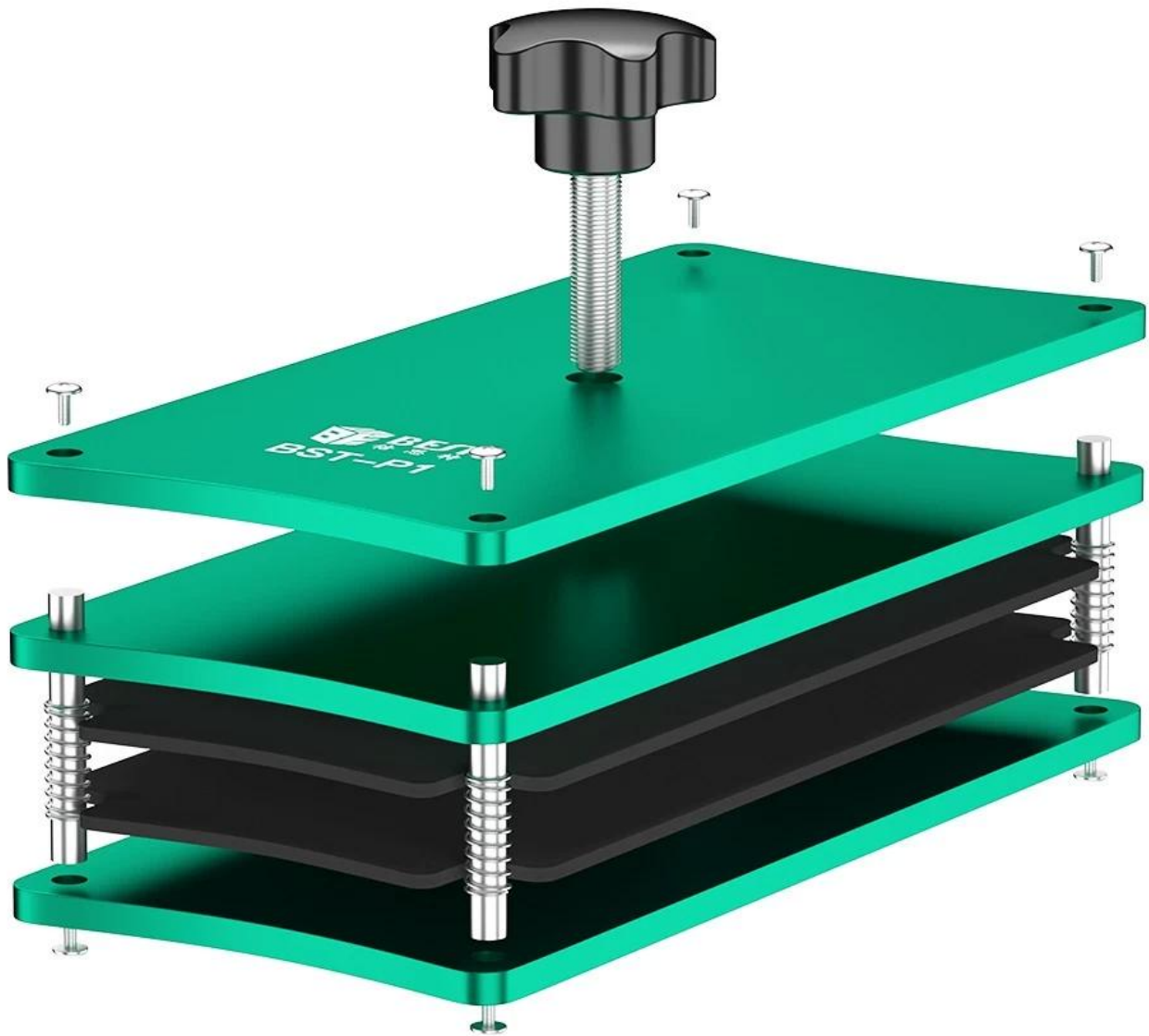


High strength steel



Aluminum alloy material

Sufficient materials, durable, not easy to deform



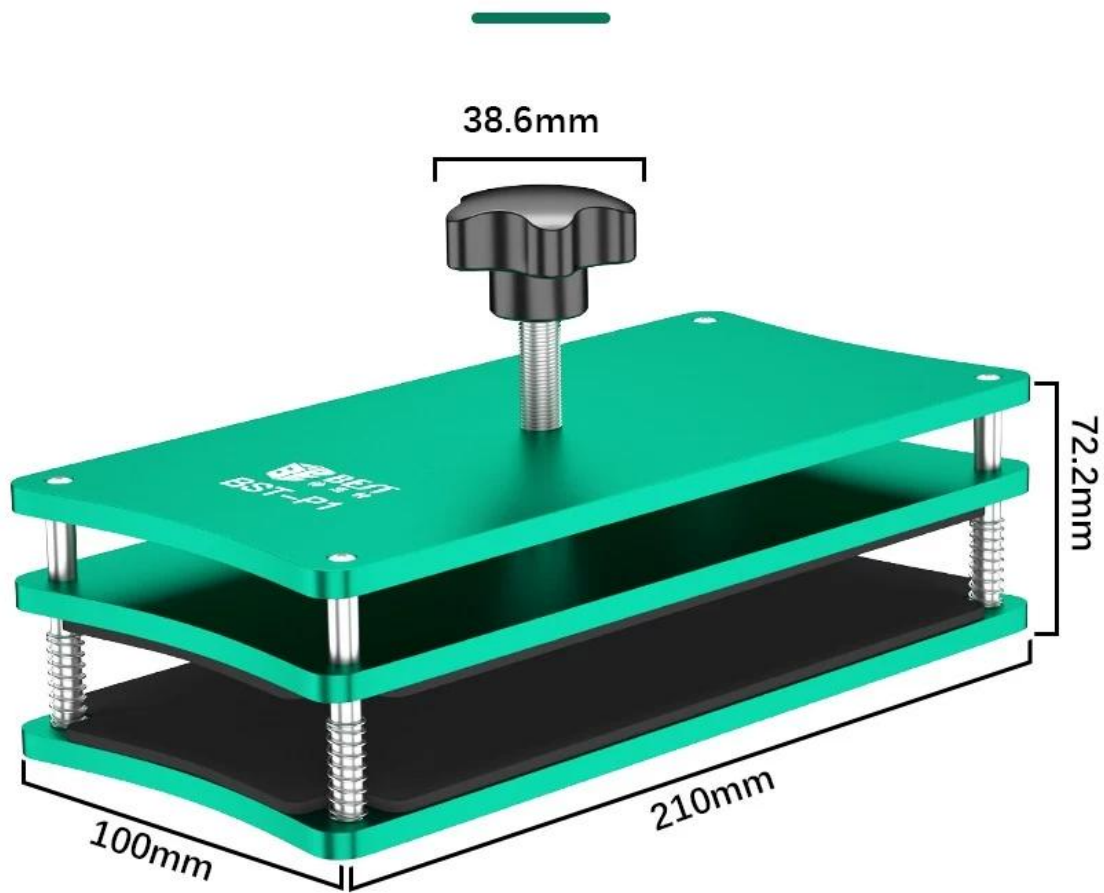
Super large working face



Applicable to any model within 8.5 inches



Product parameters



Name	Model	Material
Screen pressing tool	BST-P1	Aluminum alloy Foam cotton
N.W.	G.W.	Working area
1.14kg	1.22kg	8.5 inches

*The above dimensions are measured manually,
and the error is about 1-3mm.