

0000 0000 000000 00 0000 00 00 0000 00

00 00 :

0000 00000 00, 0000 00 00, 0000 00, 00000000 00, 0000 00, 0 0000 00, 00 0000 0 0000 00 0000 000000 00 0000 0 000000.

0000 00 0000 000000.

## PRODUCT APPLICATION

### Precision small devices

Integrated line pin

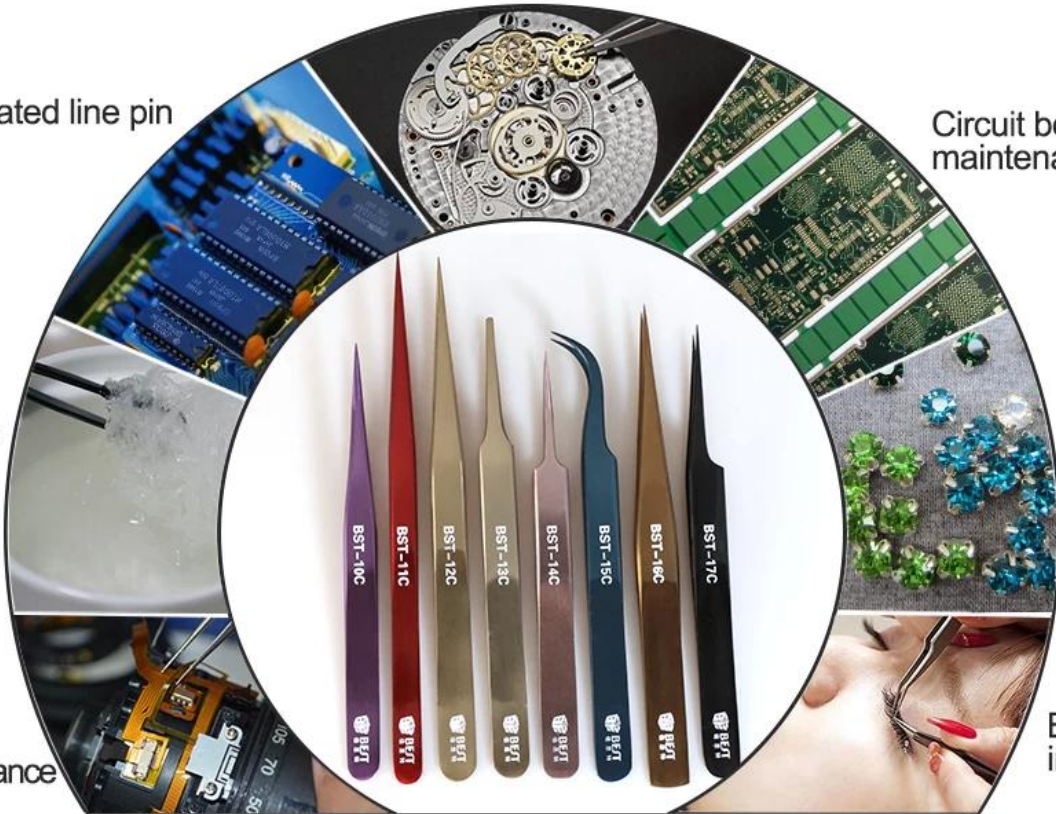
Circuit board maintenance

Bird's nest hair

Trinkets

Digital maintenance

Beauty industry



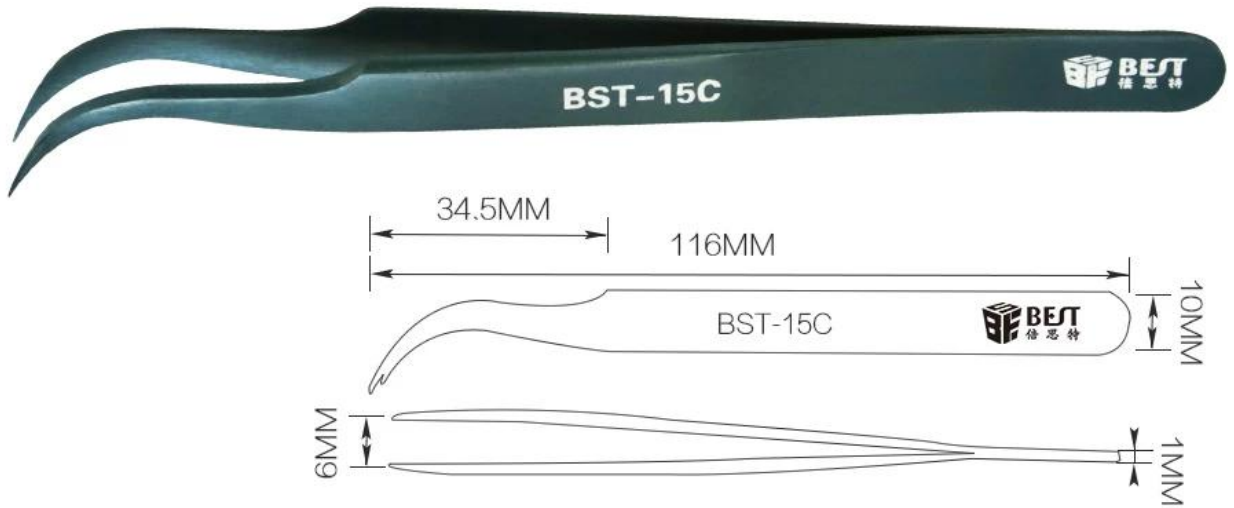
More use >>

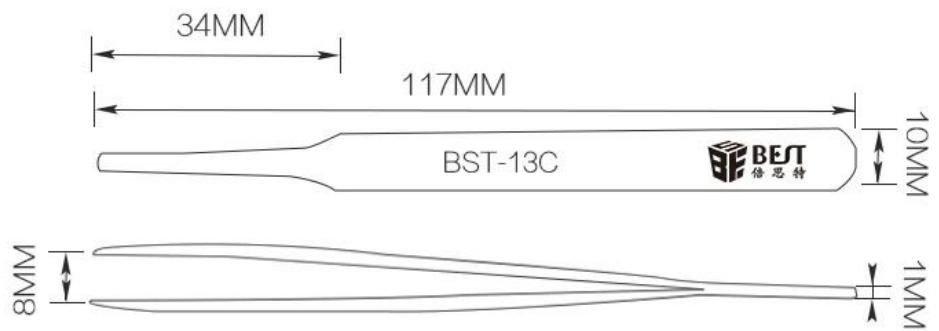
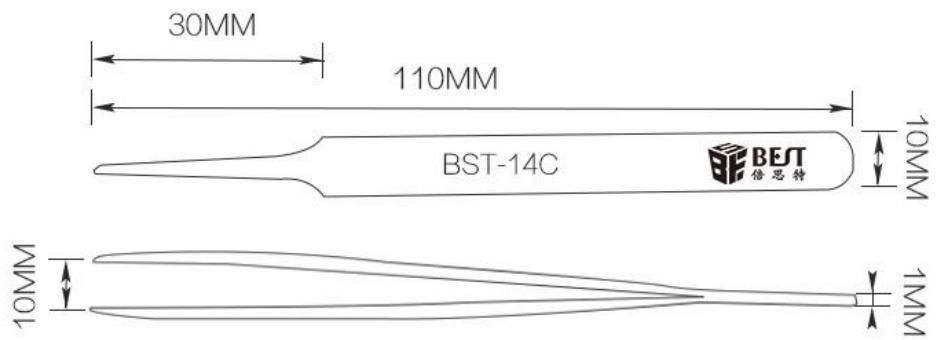
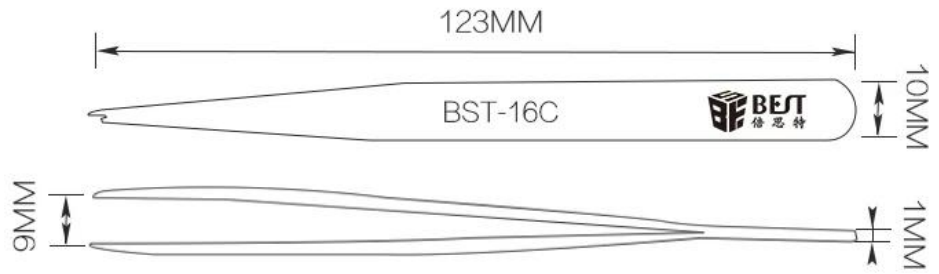


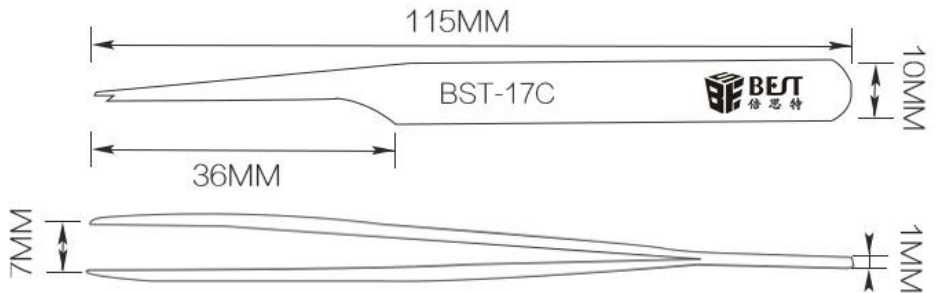
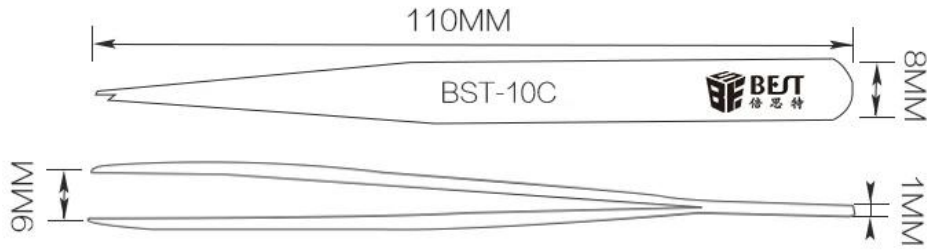
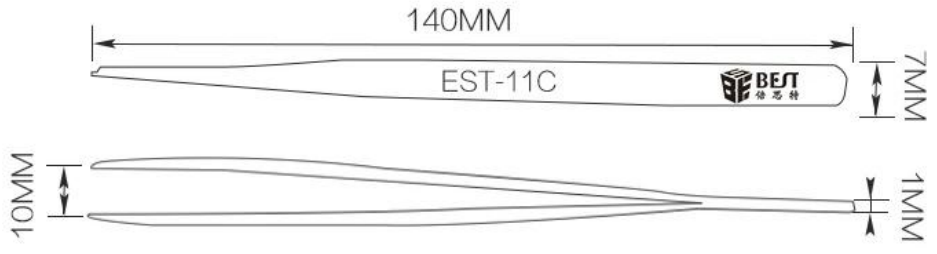
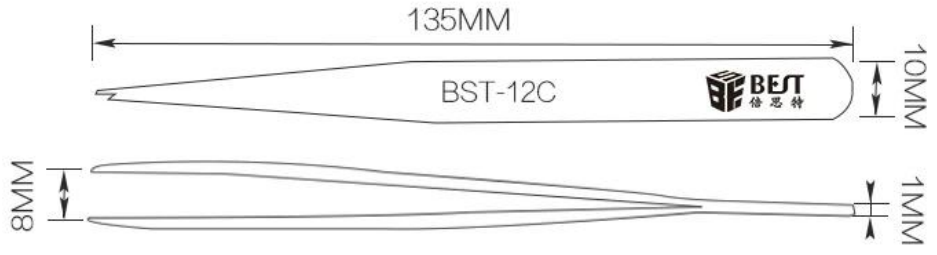
PRODUCT DISPLAY



PRODUCT SIZE









## PRODUCT DETAILS



BST-10C



BST-11C



BST-12C



BST-13C



BST-14C



BST-15C



BST-16C



BST-17C

## PRODUCT PHOTOGRAPH



# PRODUCT PACKAGING

