

Tin Cream BGA Flux Welder Repair Rework

100

PC

BST-510

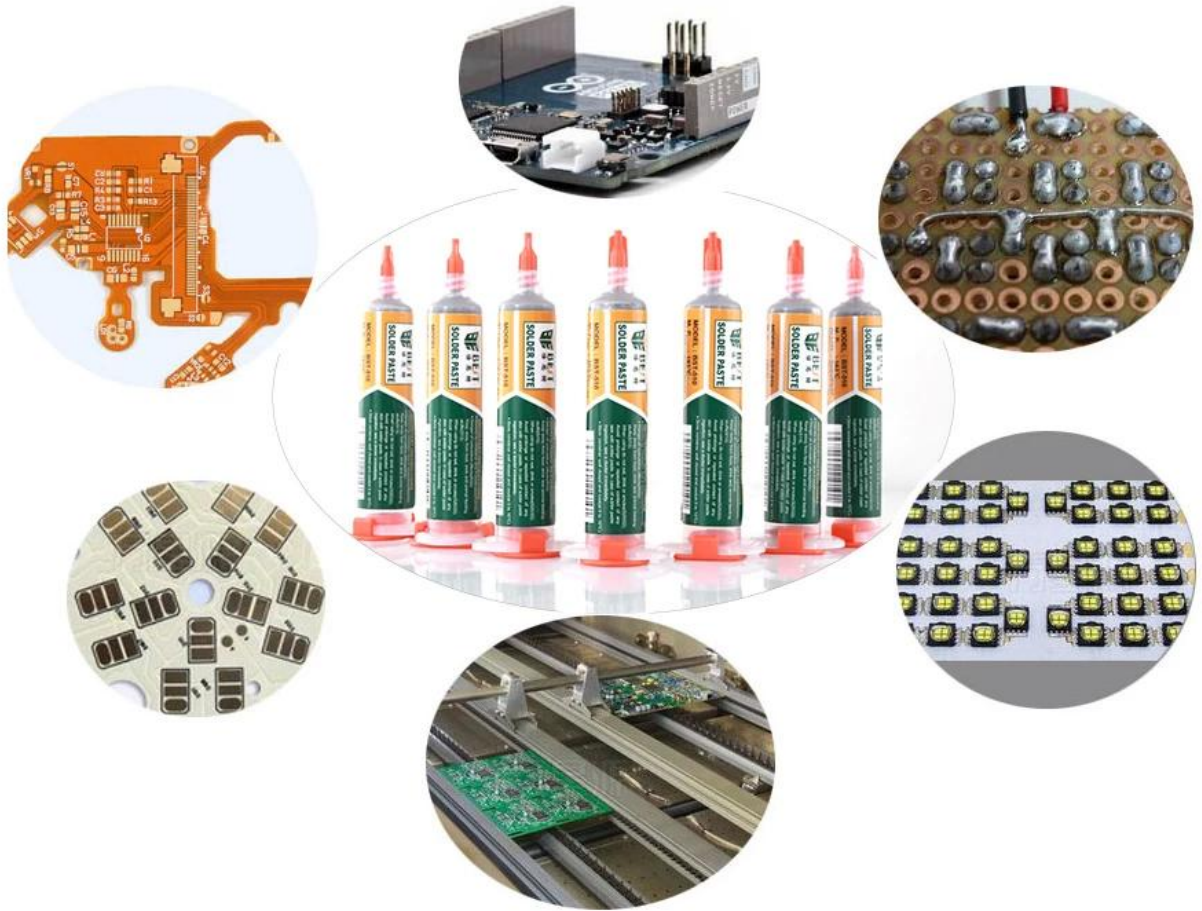
183°C

10cc

38g

Sn63

## PRODUCT USAGE



# PRODUCT SIZE





Brand: BEST

Model Number:510

Melting point:183°C

Ingredients: Sn63% Pb37

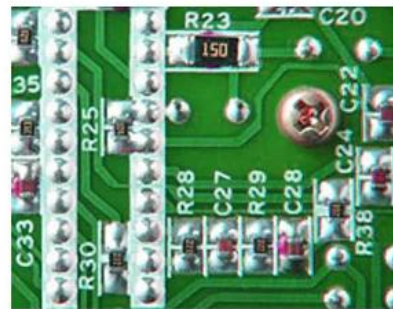
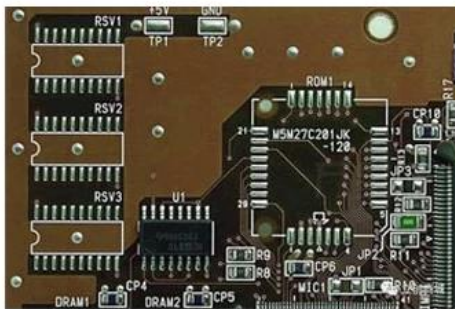
Volume:10cc

Weight: 38g

Having a large insulation resistance does not corrode the PCB, and the requirements for no-cleaning can be achieved.



High impedance, full and bright solder, low residue



## PRODUCT PHOTOGRAPH





