

□□□□

□□□□□□□□□□□□□□

□□□□

□□□□□□□□ Best-507 250g □□□□□□□□

□□□□□□□□□□/□□□□□□□□□□/□□□□□□□□□□ SMD IC □ BGA IC □□□□□□□□□□□□□□ □□□□□□□□□□□□

SOLDER PASTE

low temperature



500g

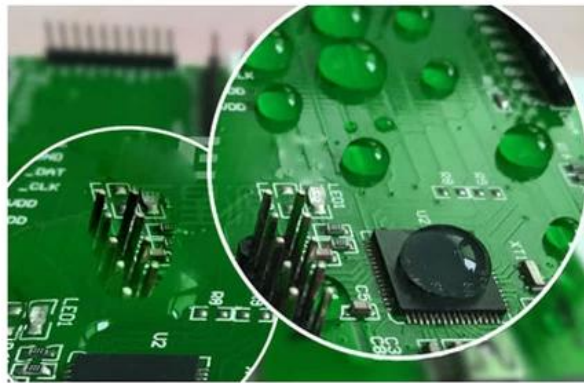
Low residue / Rapid welding / Solder spot bright

Product Usage

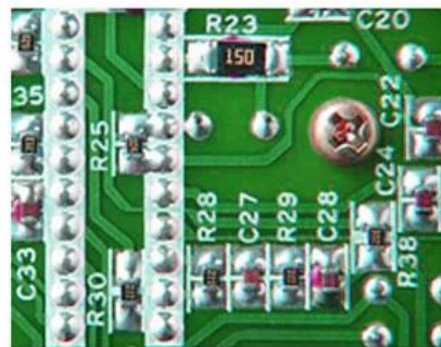
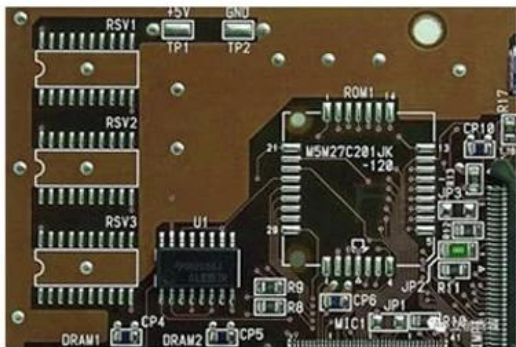


MODEL	BST-508
SHELF LIFE	6 months
INGREDIENT	Sn63/Pb37
WEIGHT	500g
MELTING POINT	183°C

Having a large insulation resistance does not corrode the PCB, and the requirements for no-cleaning can be achieved.



High impedance, full and bright solder, low residue



Welding requirements for a wide range of products



UNIFORM SOLDER JOINT
LOW TEMPERATURE MELTING POINT



PRODUCT SIZE



63.0MM



75MM

52MM

