

- 1. 202
- 2.
- 3.
- eyelashes
- 5.
- 6.
- 7.

205esd.

202

> HRC40°

117 mm

26.7

20/

/614

204 * 163 * 45mm * * *

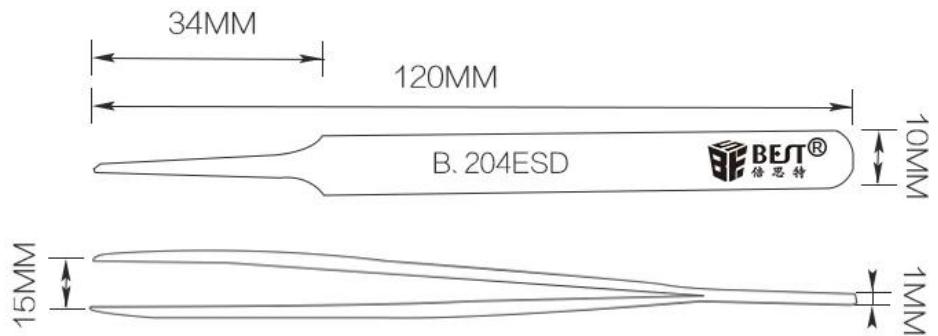
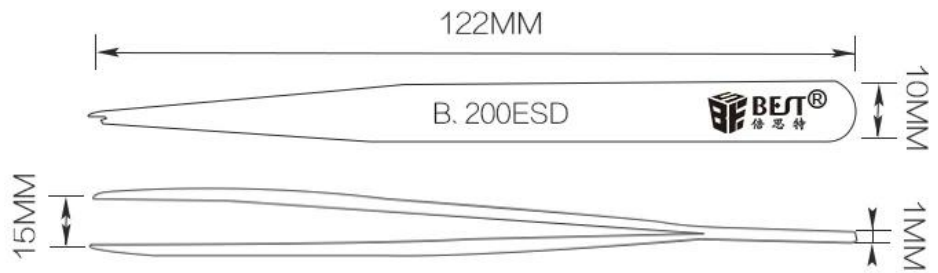
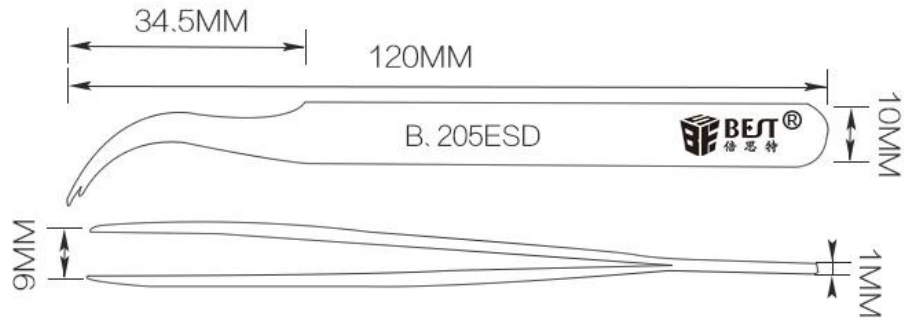
52 * 42 * 34cm * * *

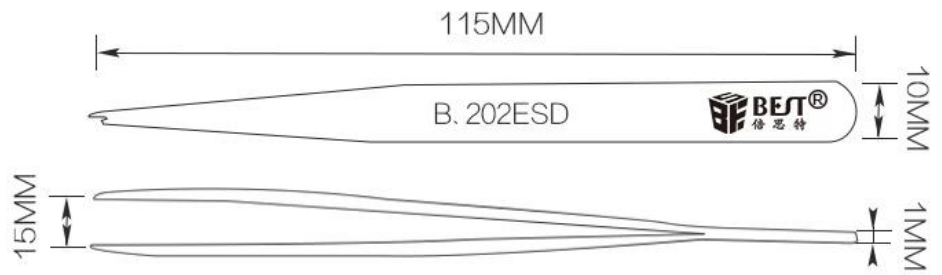
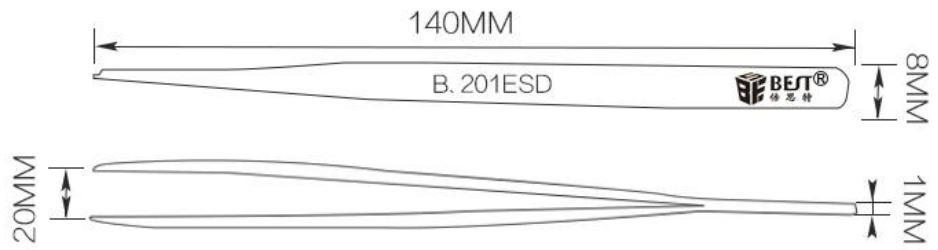
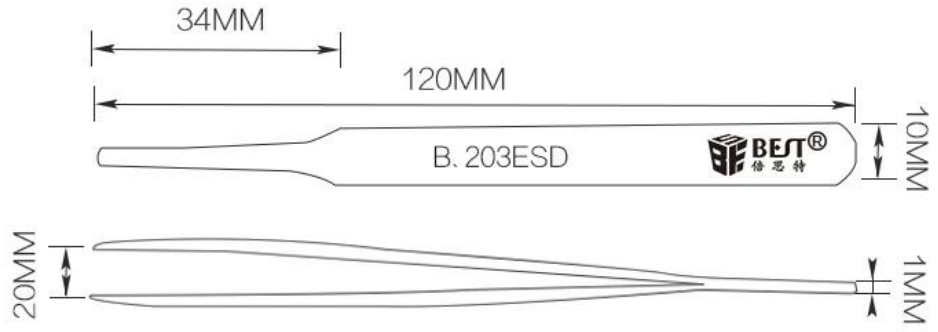
23.4 kg

PRODUCT DISPLAY



PRODUCT SIZE





PRODUCT DETAILS



B.200ESD



B.201ESD



B.202ESD



B.203ESD



B.204ESD



B.205ESD

PRODUCT PHOTOGRAPH





PRODUCT PACKAGING

