

BEST



- 1.
- 2.
- 3.
- 4.
- 5.
- 6.



BEST

:

(L*W*):

110mm*160mm

:

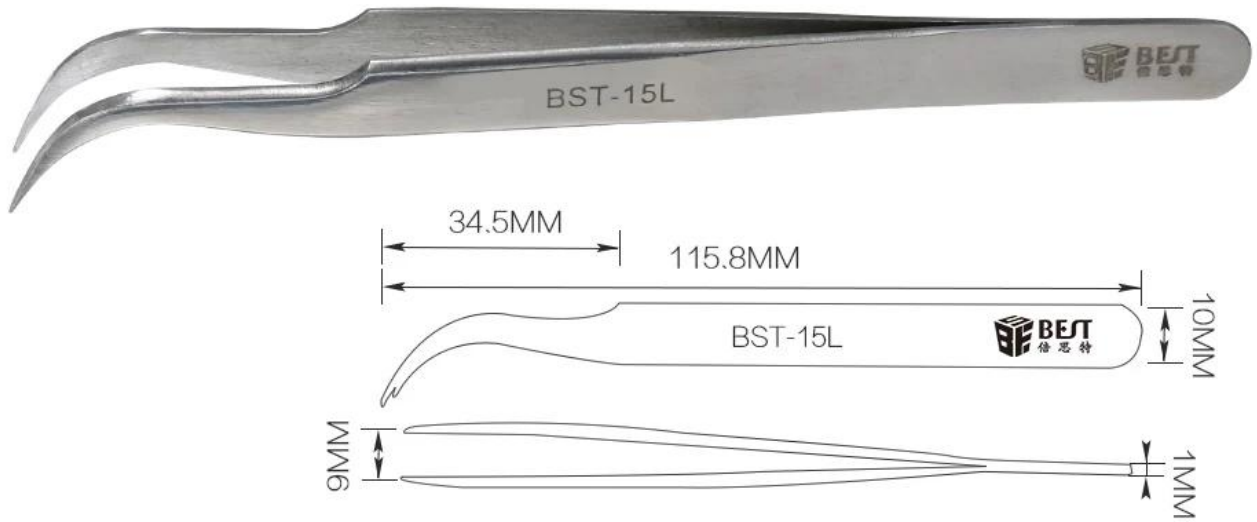
: 20 /

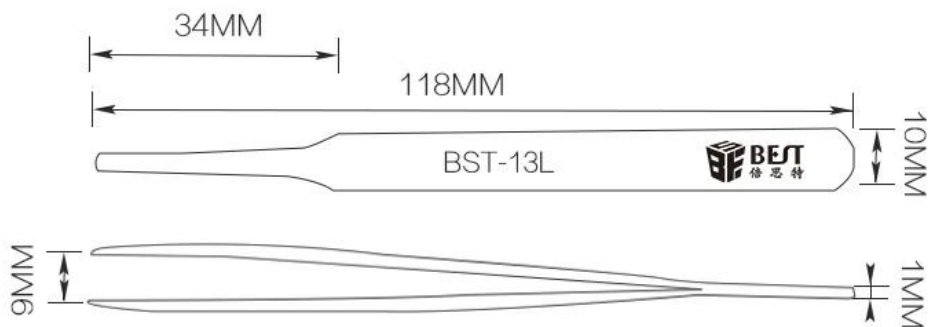
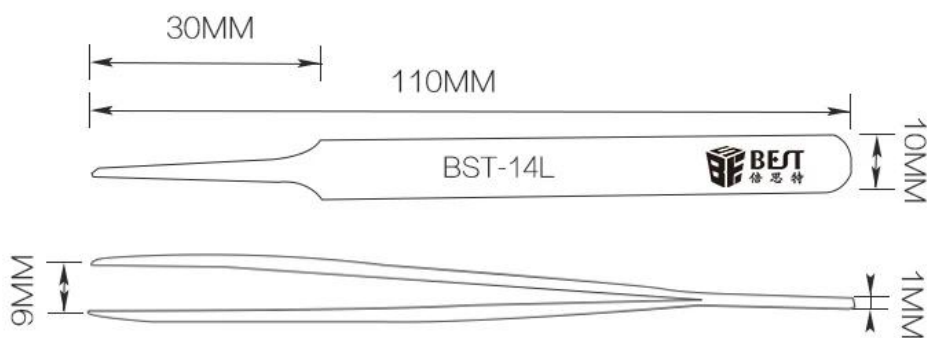
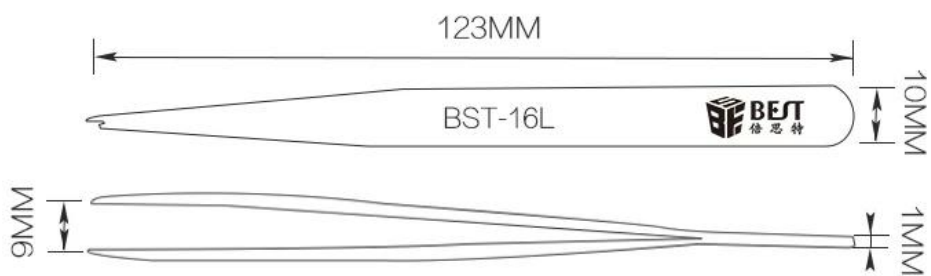
: 0.6kg/

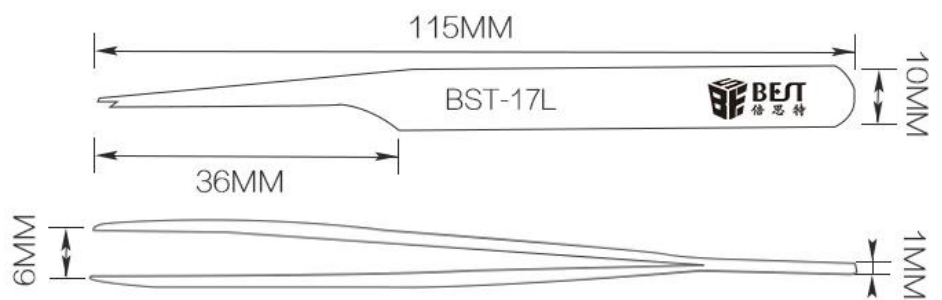
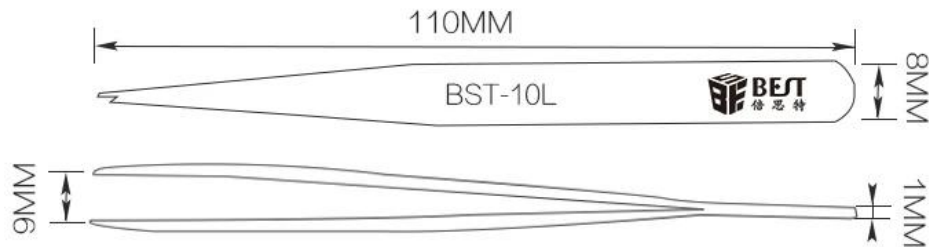
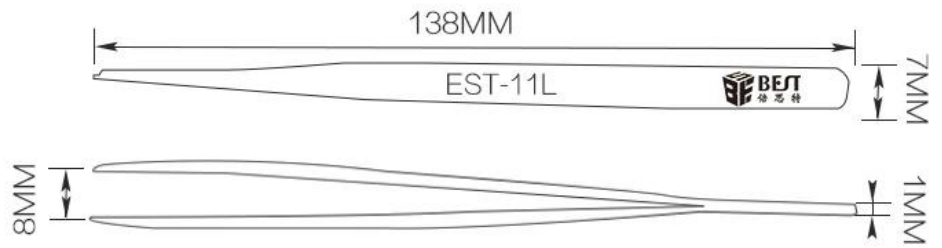
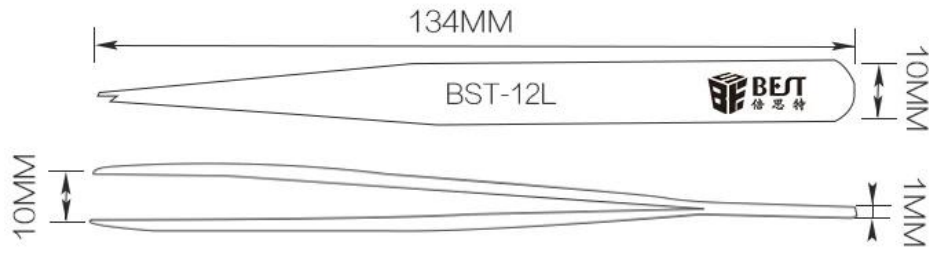
PRODUCT DISPLAY



PRODUCT SIZE







PRODUCT DETAILS



BST-10L



BST-11L



BST-12L



BST-13L



BST-14L



BST-15L



BST-16L



BST-17L

PRODUCT PHOTOGRAPH



PRODUCT PACKAGING

