

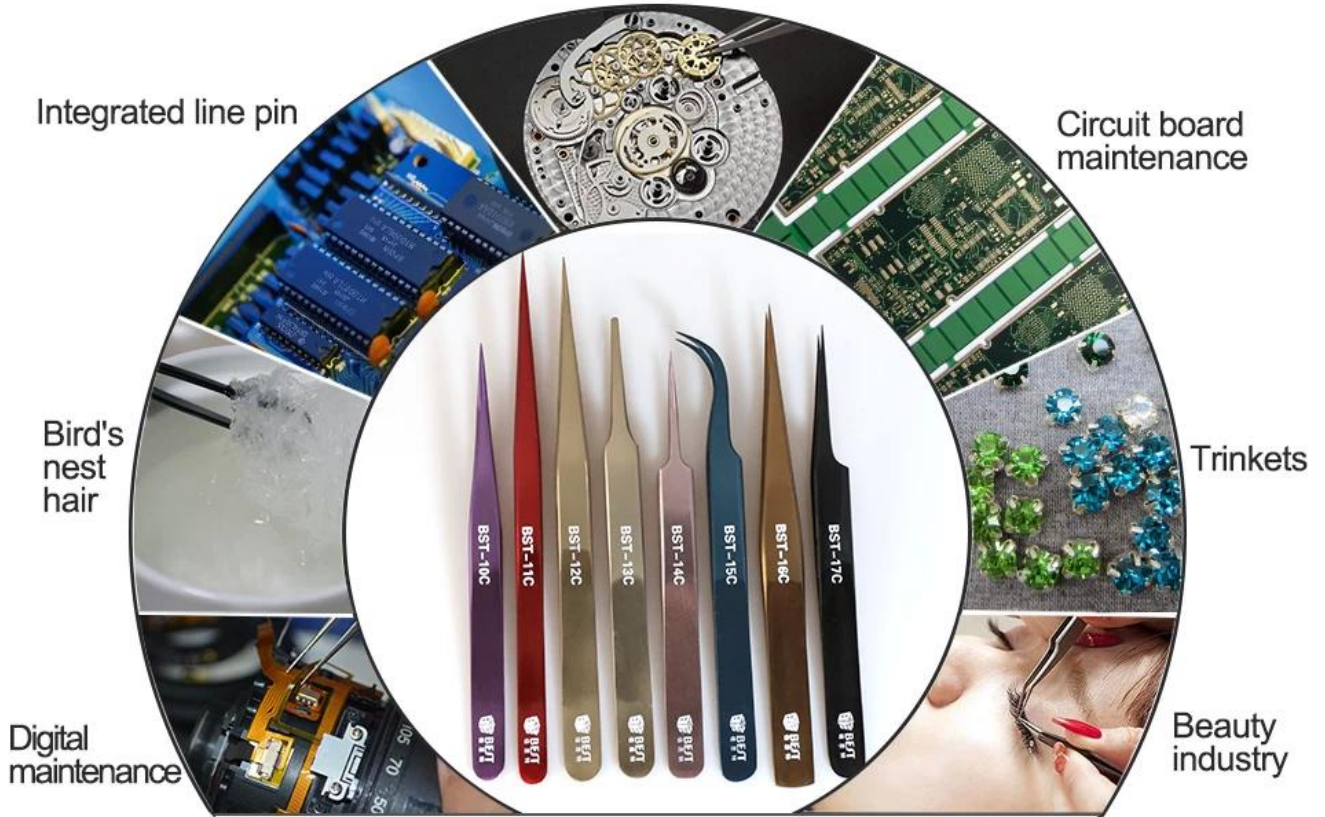
XX



XX
XX
XX

PRODUCT APPLICATION

Precision small devices



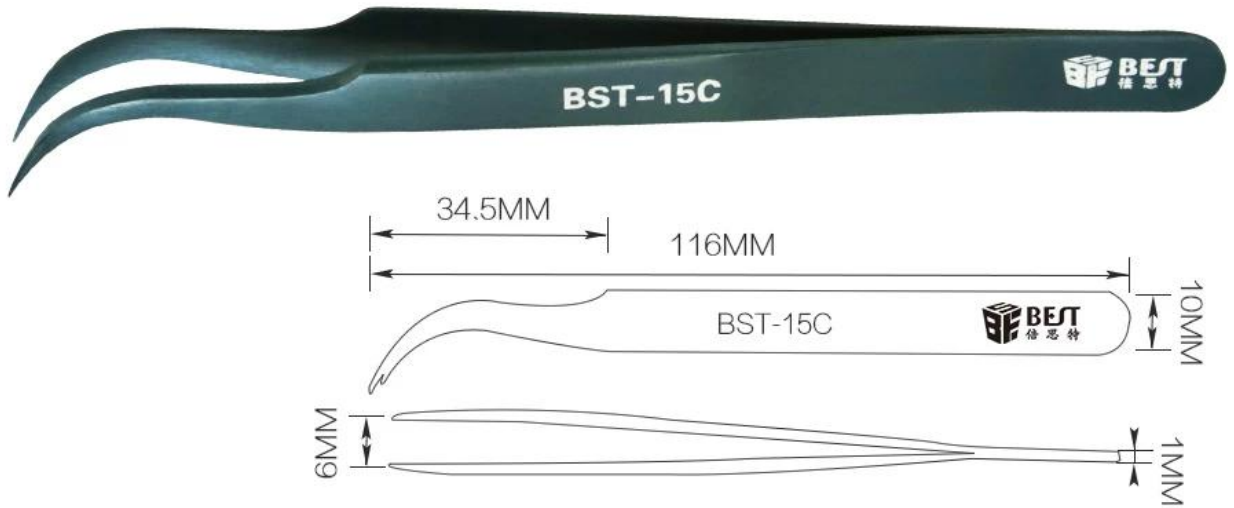
More use >>

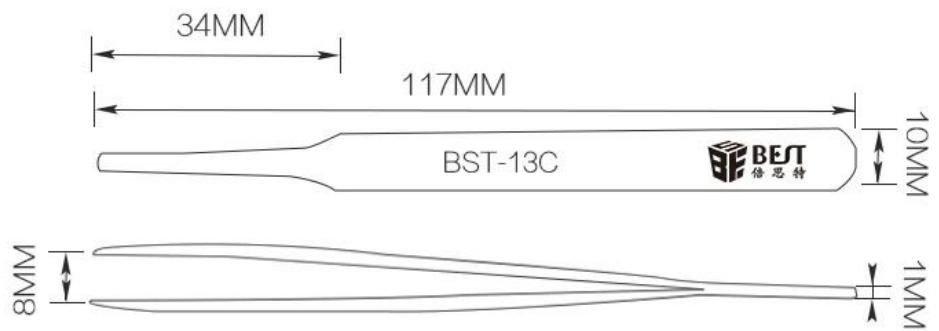
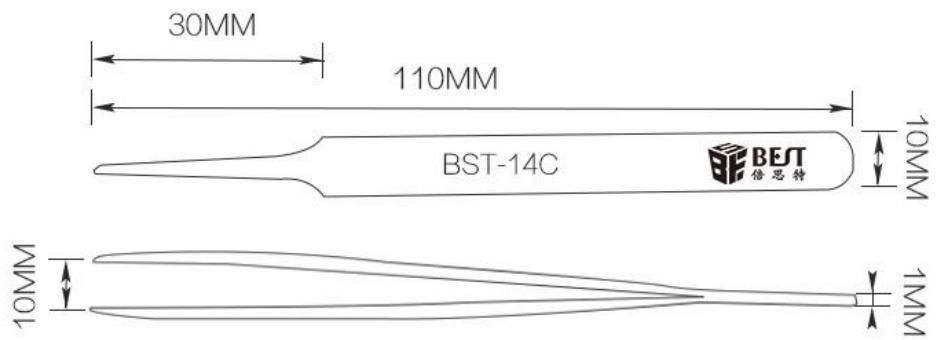
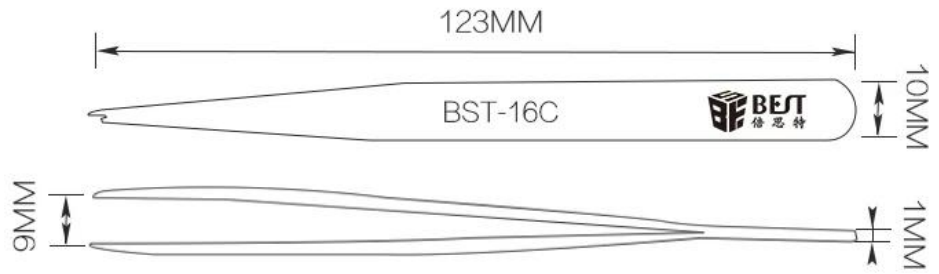


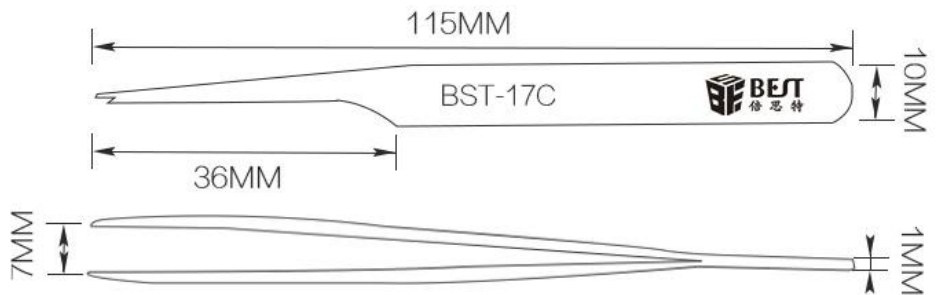
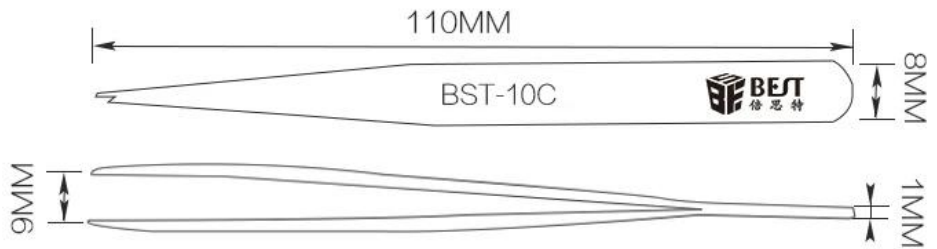
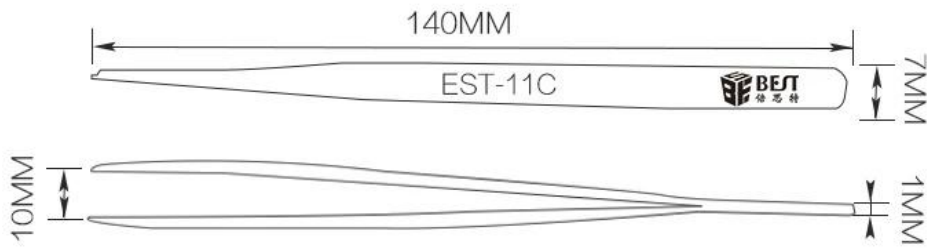
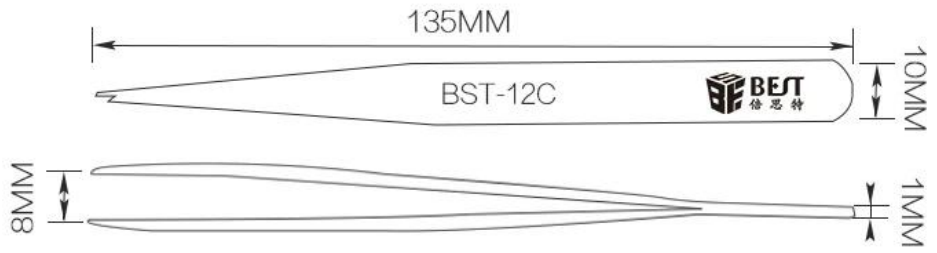
PRODUCT DISPLAY



PRODUCT SIZE







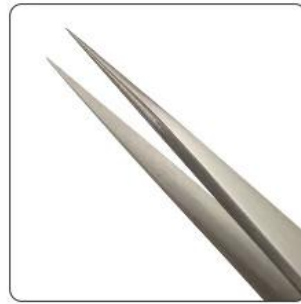
PRODUCT DETAILS



BST-10C



BST-11C



BST-12C



BST-13C



BST-14C



BST-15C



BST-16C



BST-17C

PRODUCT PHOTOGRAPH



PRODUCT PACKAGING

