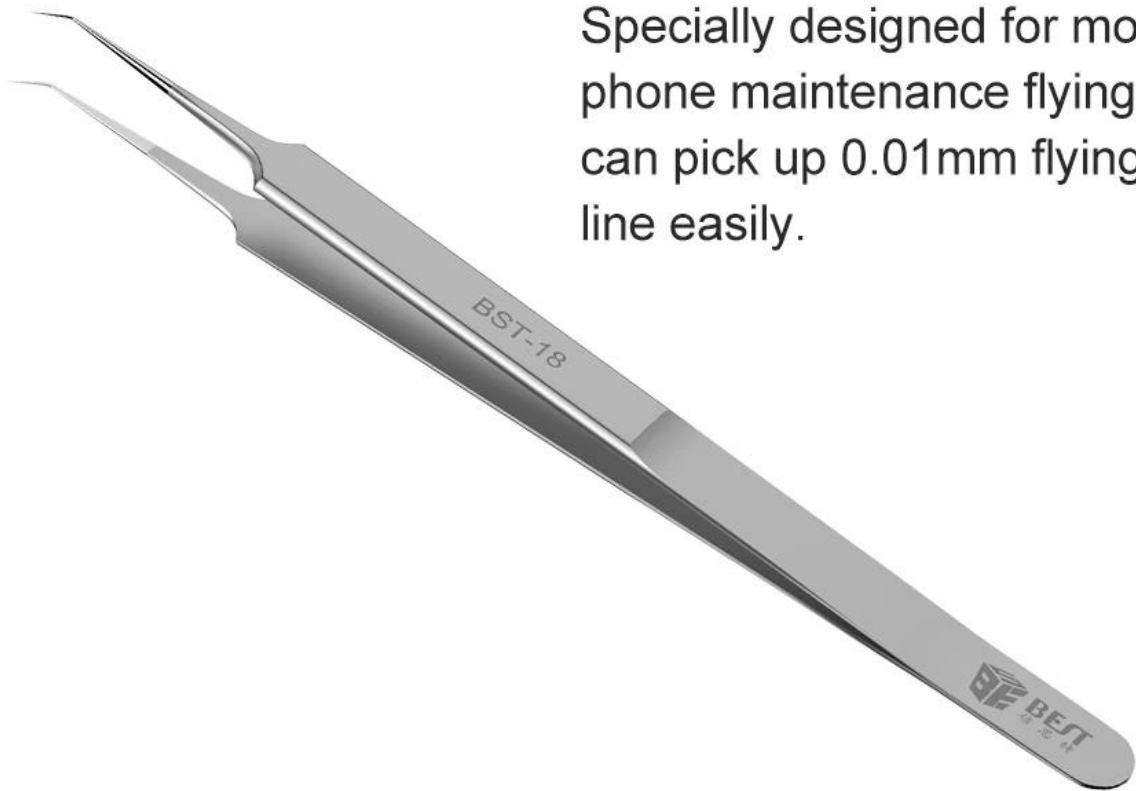


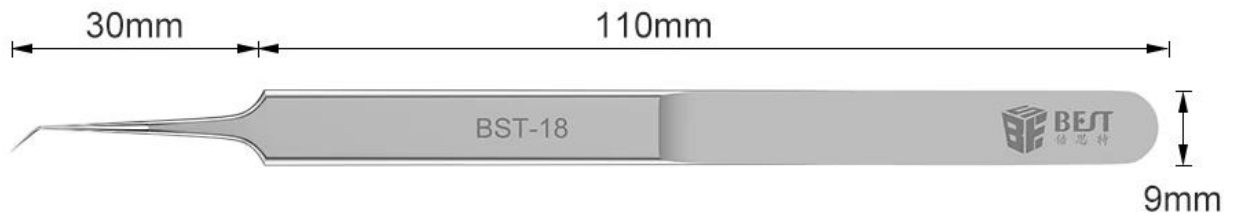
材料	202不锈钢
规格	100PCS
MOQ	100PCS
OEM	可以
认证	CE
包装	防静电袋/防静电袋 20个/袋
重量	0.1g / 0.1g
长度	130mm QTY
产地	中国
品牌	BEST

PRODUCT DISPLAY

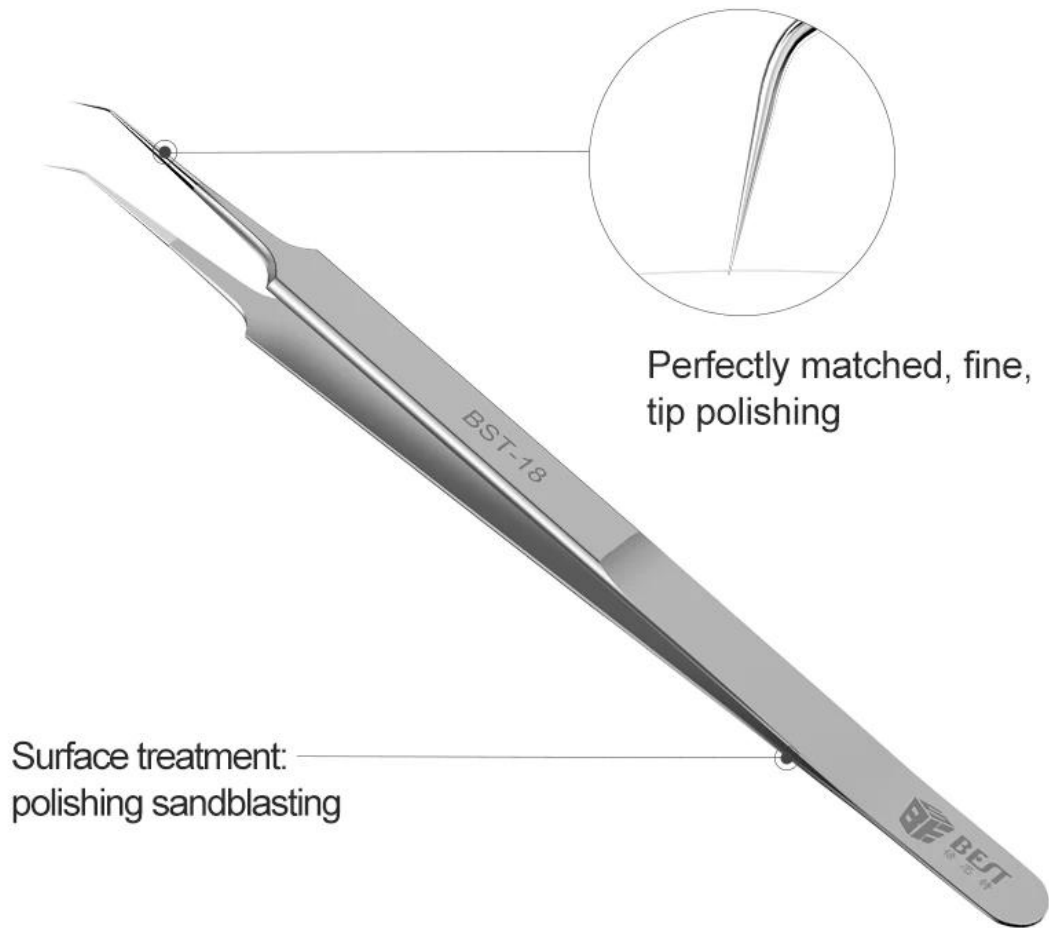


Specially designed for mobile phone maintenance flying line, can pick up 0.01mm flying line easily.

## PRODUCT SIZE



## PRODUCT FEATURES



Model:	BST-18	Brand:	 BEIT 倍思特	Weight:	17.3g
Size:	140mm*9mm	Material:	202 stainless steel		
Surface treatment:	polishing sandblasting, tip polishing				
Features:	<p>1. Specially designed for mobile phone maintenance flying line, this tweezers can pick up 0.01mm flying line easily.</p> <p>This precision tweezers is highly anastomosing, anti-acid, anti-corrosive, anti-rust durable and heat resistant.</p>				



