

**600** times

**HD digital microscope**

- ✓ Taking pictures
- ✓ Recording
- ✓ Support TF card
- ✓ Adjust LED lights



## PRODUCT DETAILS

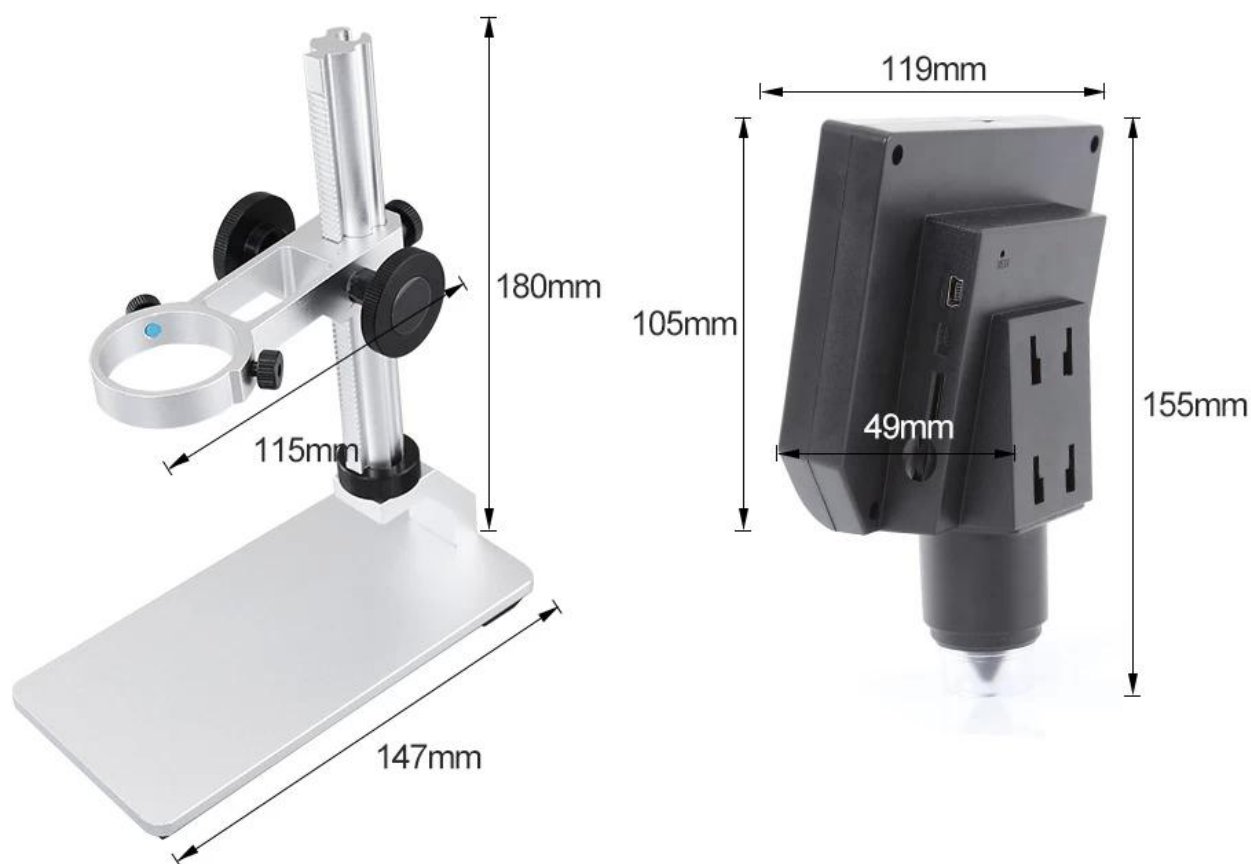




**8 LED lamps(long service life)**



## PRODUCT SIZE



Brand: BEST	Colour: silver、 black
Package: Box	Model:600-microscope
Materials: aluminum alloy+PVC	Weight: 735g
Accessories: adapter、 charging cable	Magnifying: 600X
Use: <b>【1】</b> electronic products, welding <b>【2】</b> textile Industry, Cotton Tissue Inspection <b>【3】</b> cracks in various materials of ceramic glass <b>【4】</b> making small parts for inspection	

PRODUCT PHOTOGRAPH



PRODUCT PACKAGING

Weight: 735g

