

100% Brand new and high quality!!

Rosin flux is used to facilitate soldering.

It cleans and prevents metal oxidation which allows solder to create strong, long lasting mechanical and electrical bonds.

It also acts as a wetting agent, increasing the flow of solder and the efficiency of the soldering process.

Perfect for mobile phones, PC cards and other sophisticated electronic chip-level flux welding.

Specifications

Product:BST-706

Melting point:138°C

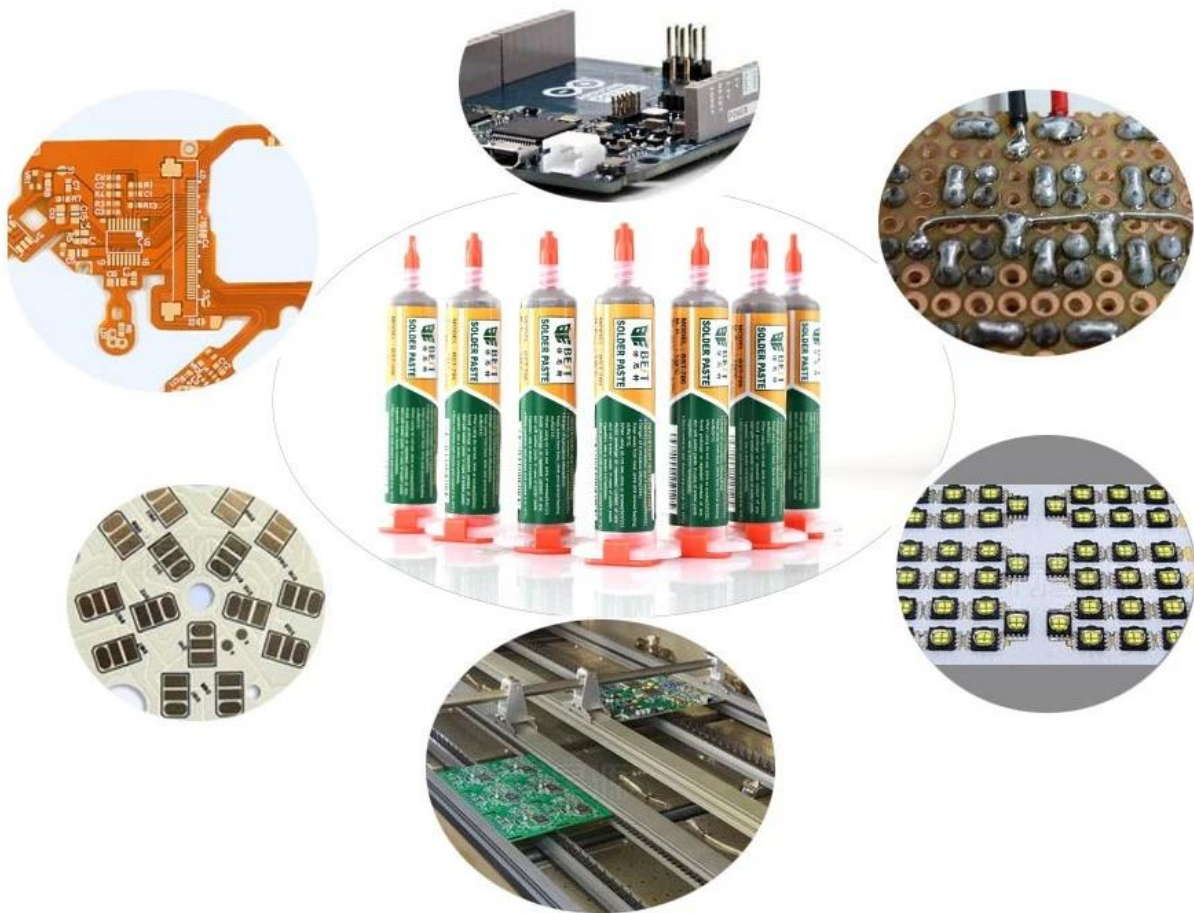
Volume:10cc

Weight:38g

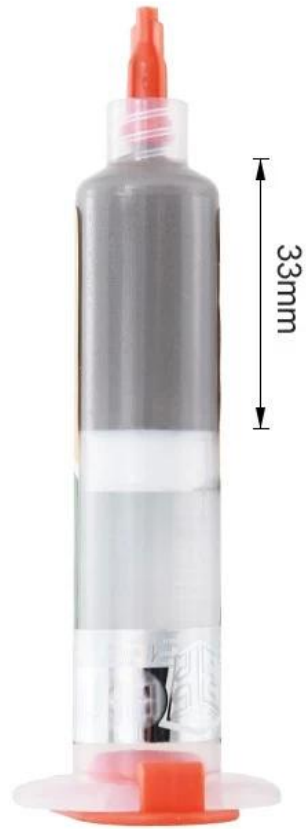
Ingredients:Sn99%,Cu0.7%,Ag0.3%

## PRODUCT USAGE

---



# PRODUCT SIZE





Brand: BEST

Model Number:706

Melting point:138°C

Ingredients: Sn42/bi58

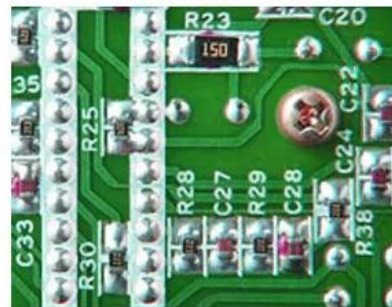
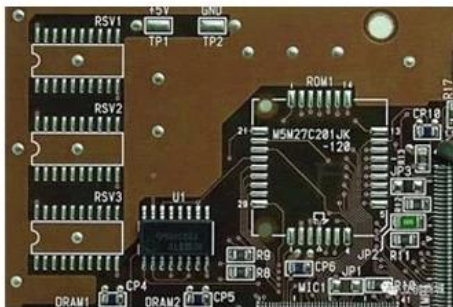
Volume:10cc

Weight: 38g

Having a large insulation resistance does not corrode the PCB, and the requirements for no-cleaning can be achieved.



High impedance, full and bright solder, low residue



# PRODUCT PHOTOGRAPH



