

1. Anti-static tweezers are made of 202 stainless steel, anti-static coating;
2. Turant antistatic, non-magnetic, non-corrosive
3. Tips are very difficult, high accuracy, will not miss it,
4. With the highest comfort and maximum comfort when using eyelashes extension.
5. The tweezers are very light & easy to handle, which helps reduce hand pressure;
6. Use the correct tweezers, which will help shorten the overall application time.
7. Widely used, available for beauty work, electronic repair, precision instruments, stamps

Ategory: anti-static stainless steel tweezers

Model: 205esd

Material: 202 stainless steel

Magnetic: no

Surface treatment: black anti-static coating treatment

Tip strength:> HRC40 °

Length: 117 mm

Weight: 26.7 grams (including packaging)

Packing specification: 20 pieces / box

Weight / box: 614 grams

Box size: 204 * 163 * 45mm (length * width * height)

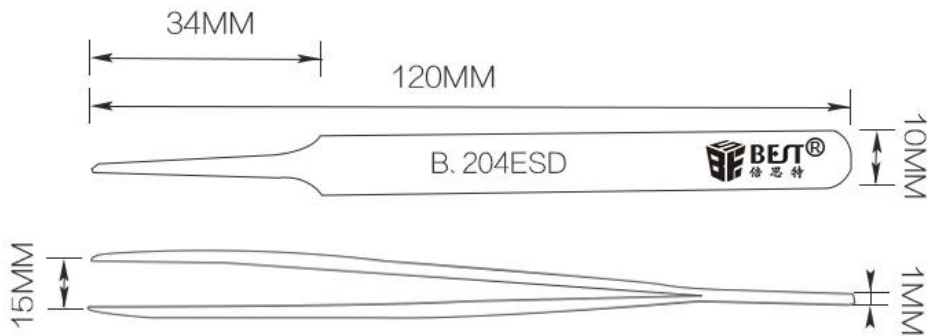
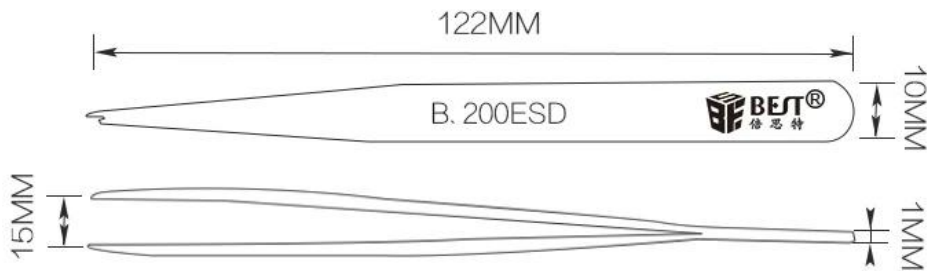
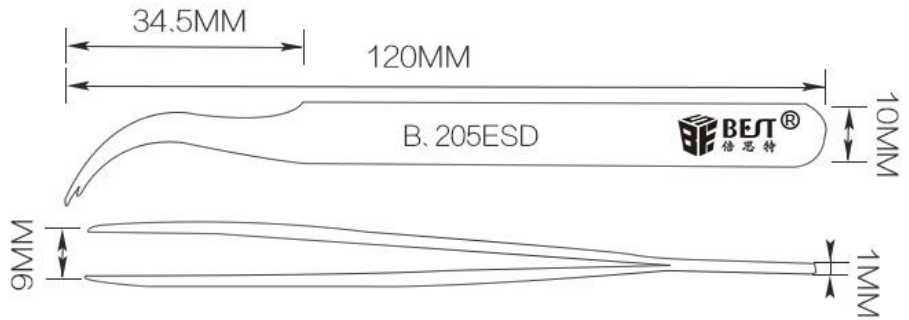
Carton size: 52 * 42 * 34cm (length * width * height)

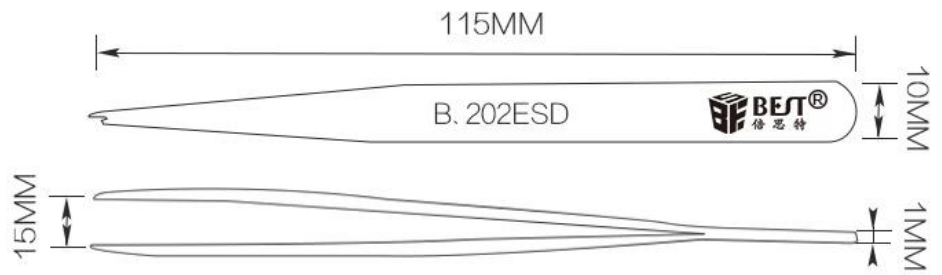
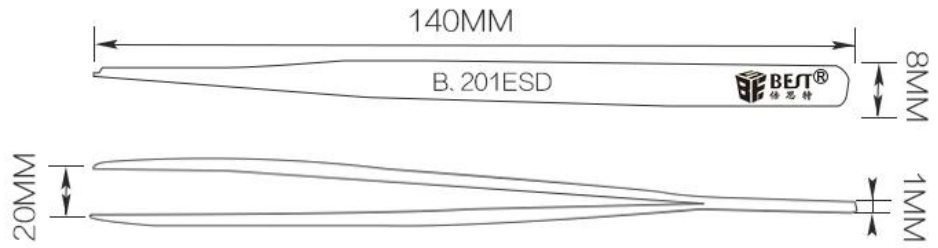
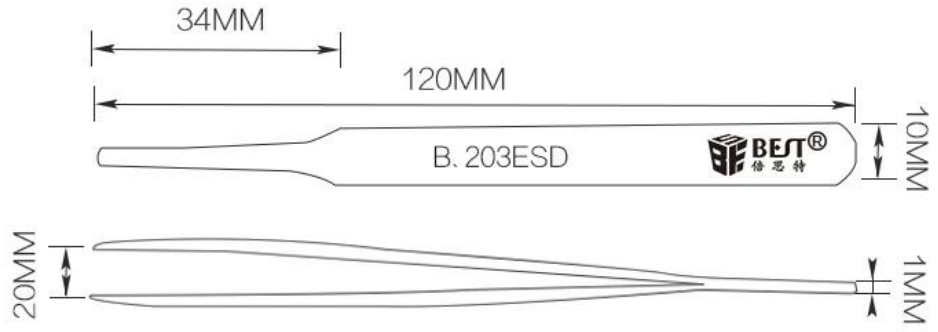
Weight / box: 23.4 kg

PRODUCT DISPLAY



PRODUCT SIZE





PRODUCT DETAILS



B.200ESD



B.201ESD



B.202ESD



B.203ESD



B.204ESD



B.205ESD

PRODUCT PHOTOGRAPH





PRODUCT PACKAGING

