

## BEST- High quality curved eyelash tweezers

### Feature

1. This eyelash tweezers are made of highest quality stainless steel, comes in matt finishes;
2. High precision with maximum comfort when working with eyelash extensions.
3. Tweezers are very light & easy to handle help reduce hand pressure ;
4. Highly accurate, no slip through, & anti-magnetic.
5. Using the correct tweezers, it will help reduce overall application time.
6. Different tip are available (straight, curved, point, angled tips) .
7. Fine tips makes them perfect to pick up eyelash, you can also use for beauty work,electronic repairing, Precision instruments, microelectronics ect.

### Specification

Model BEST stainless steel tweezer

Material: Quality Stainless steel

Surface treatment: Matt finishes

Type of tip Pointed, Triangle, Straight, Curved, Flat

Color Matt light

Size(L\*W\*Tip):

110mm~160mm

Package: Blister+ card

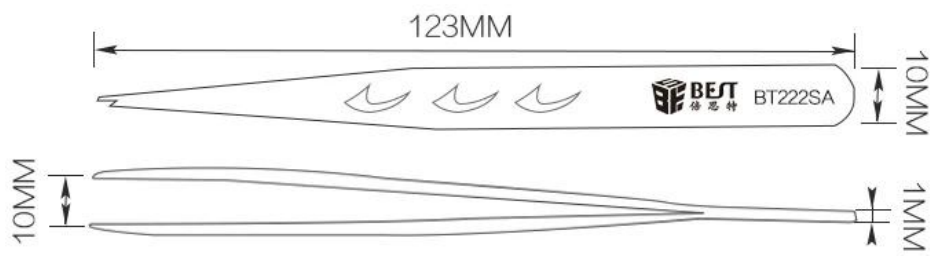
Packing: 20pcs/box

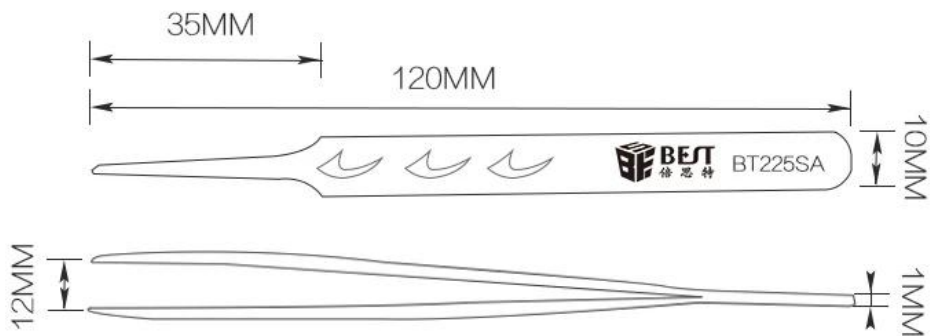
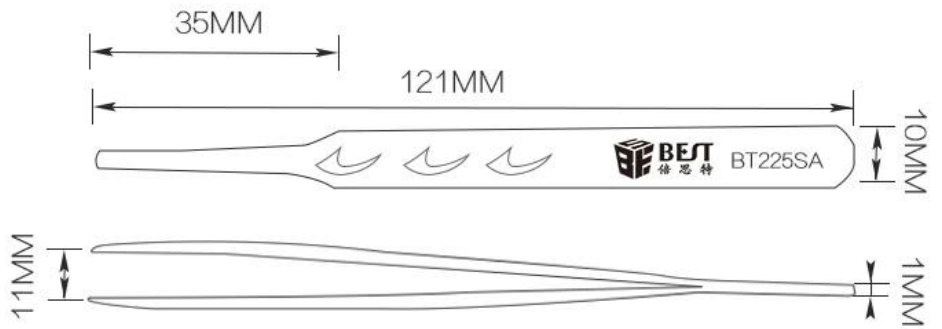
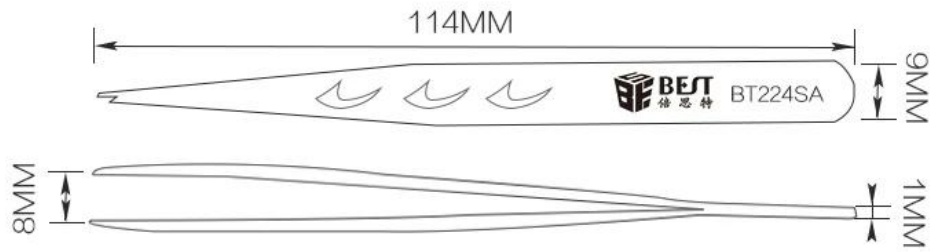
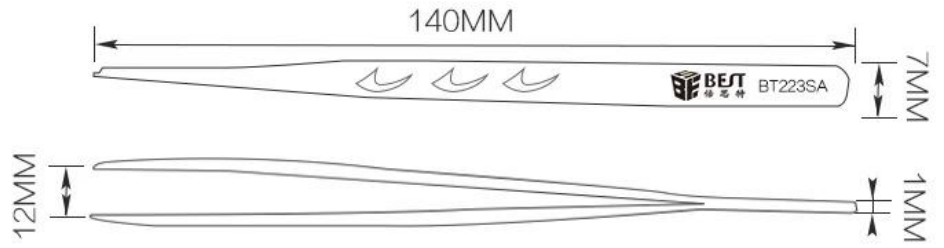
Package weight: 0.6kg/box

# PRODUCT DISPLAY



# PRODUCT SIZE





## PRODUCT DETAILS



BT222SA



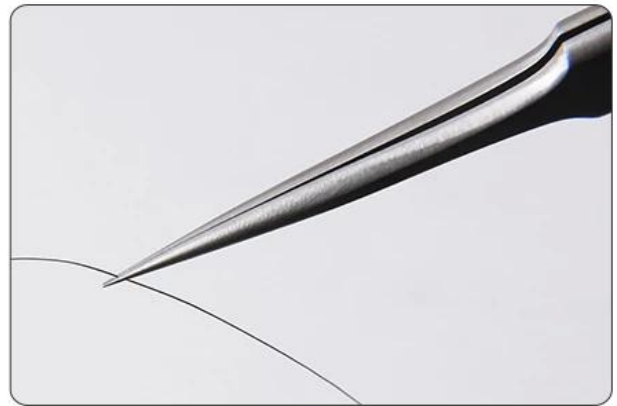
BT223SA



BT224SA



BT225SA



BT226SA

## PRODUCT PHOTOGRAPH





## PRODUCT PACKAGING

