



# 863 heat gun nozzle

Stainless steel material, 3 specifications optional  
high temperature resistance



Original  
Assembly



Durable  
material



Safety and  
environmental protection



Quality  
assurance

## High temperature resistant inclined heating gun nozzle

Precision components can be applied

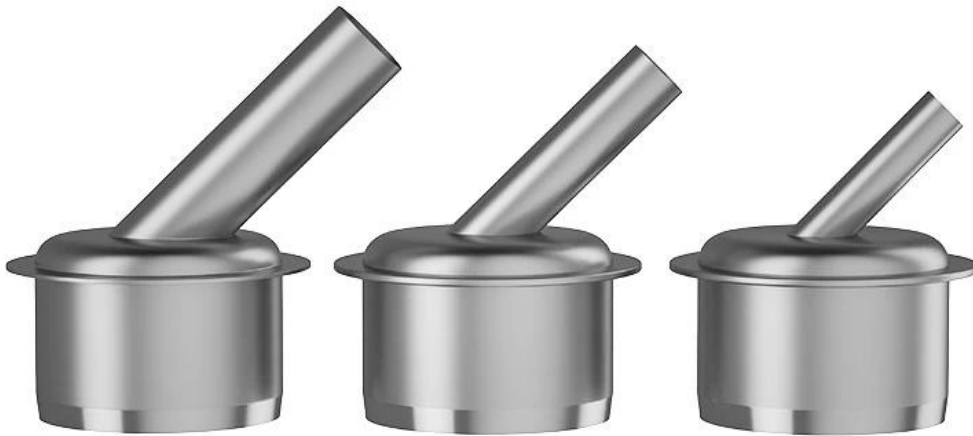


---

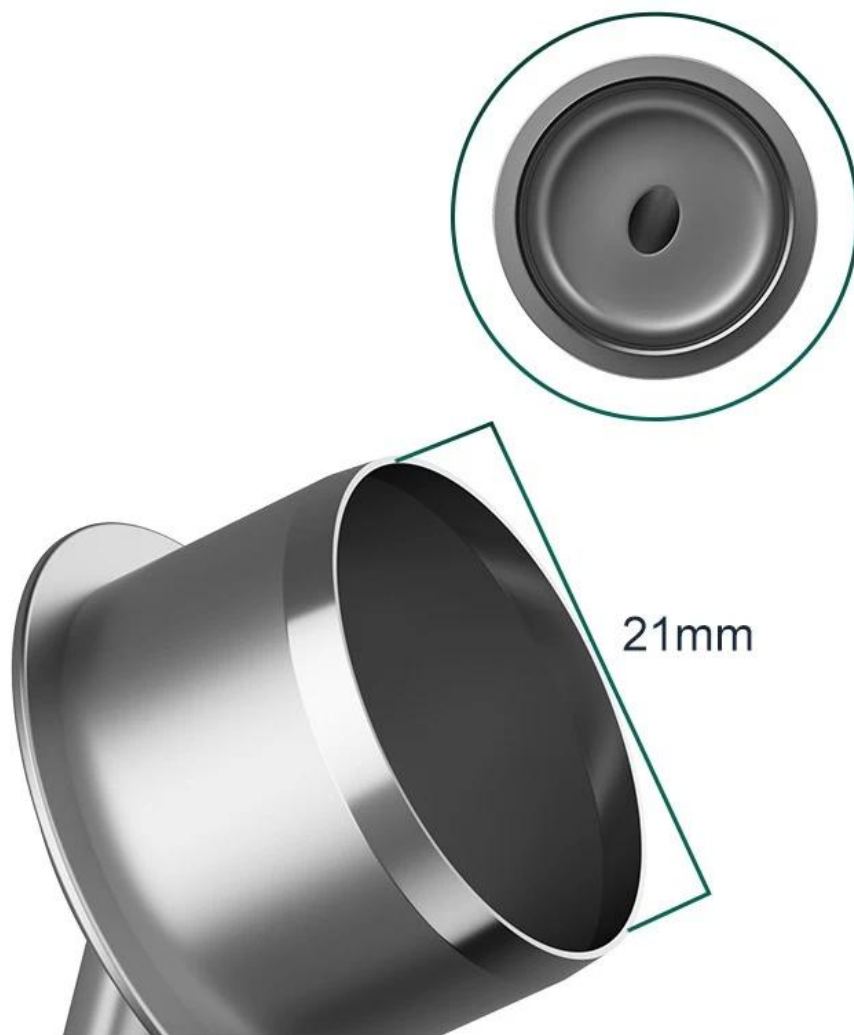
Quality Assurance

Made of stainless steel

Not easy to rust and durable



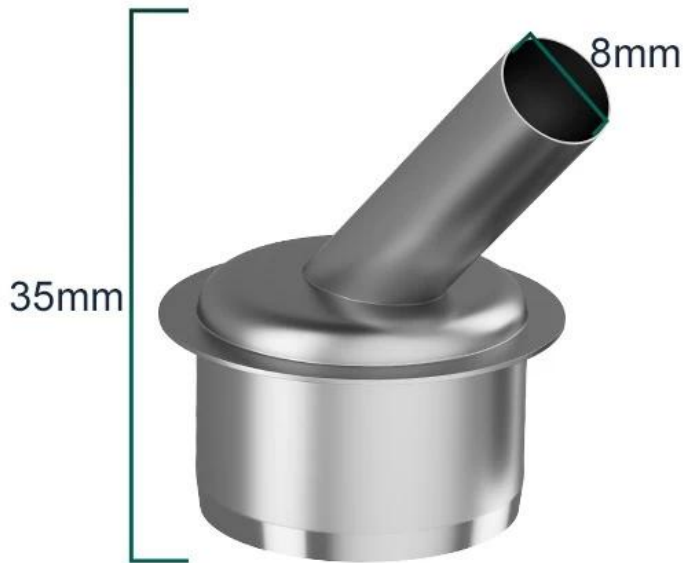
Bottom



# Product parameters

There is a certain error in manual measurement, please refer to the actual product

8mm (round hole)

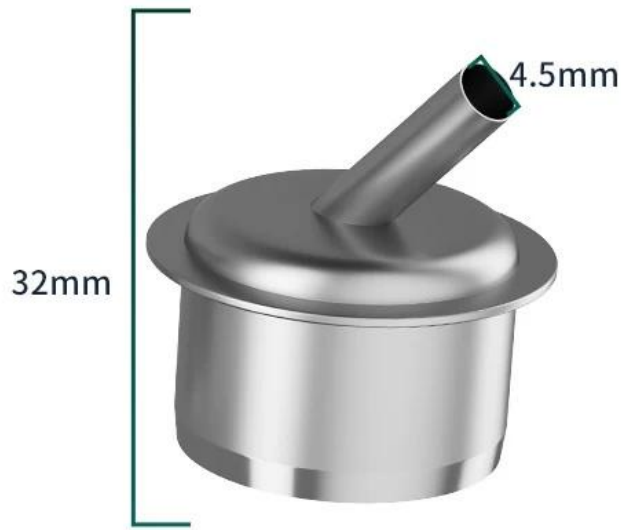


product	heat gun nozzle	Nozzle diameter	8mm
high	35mm	weight	6g



product	heat gun nozzle	Nozzle diameter	6mm
high	33mm	weight	6g

4.5mm (round hole)



product	heat gun nozzle	Nozzle diameter	4.5mm
high	32mm	weight	6g