

Product Description

- 100% Brand new and high quality!!
- Rosin flux is used to facilitate soldering.
- It cleans and prevents metal oxidation which allows solder to create strong, long lasting mechanical and electrical bonds.
- It also acts as a wetting agent, increasing the flow of solder and the efficiency of the soldering process.
- Perfect for mobile phones, PC cards and other sophisticated electronic chip-level flux welding.

Specifications

Product:BST-706

Melting point:138°C

Weight:500g

Ingredients:Sn99%,Cu0.7%,Ag0.3%

SOLDER PASTE

Lead-free medium temperature

BEST
倍思特
SOLDER PASTE

MODEL: BST-706
Alloy: Sn42/Bi58
Shelf Life: 6 months
Net Weight: 500g

PRECISION ELECTRONIC REPAIR
BEST
倍思特
SOLDER PASTE
BGA植锡膏

- Low residue 低残留物
- Cold storage 低温存储
- Mid-melting point 中温熔点
- Even solder joints 焊点均匀

CE
MADE IN CHINA

500g

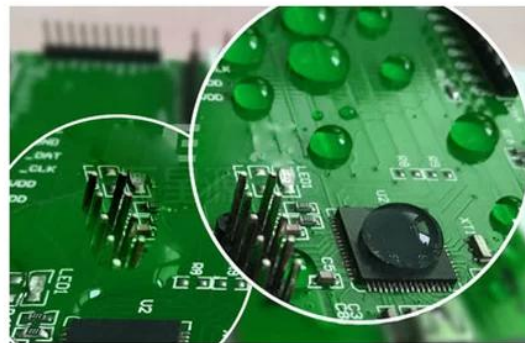
Low residue / Rapid welding / lead free / Solder spot bright

Product Usage

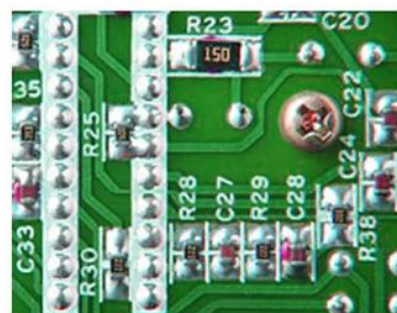
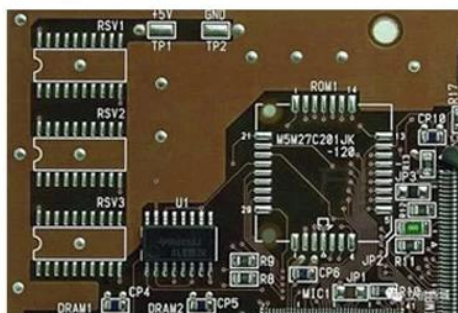


MODEL	BST-706
SHELF LIFE	6 months
INGREDIENT	Sn42/Bi58
WEIGHT	500g
MELTING POINT	138°C

Having a large insulation resistance does not corrode the PCB, and the requirements for no-cleaning can be achieved.



High impedance, full and bright solder, low residue



Welding requirements for a wide range of products



TESTING EFFECT

UNIFORM SOLDER JOINT
MEDIUM TEMPERATURE MELTING POINT



PRODUCT SIZE



63.0MM



52MM

75MM

