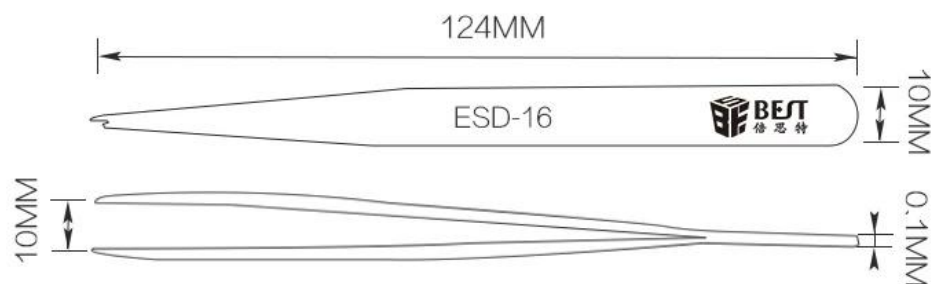
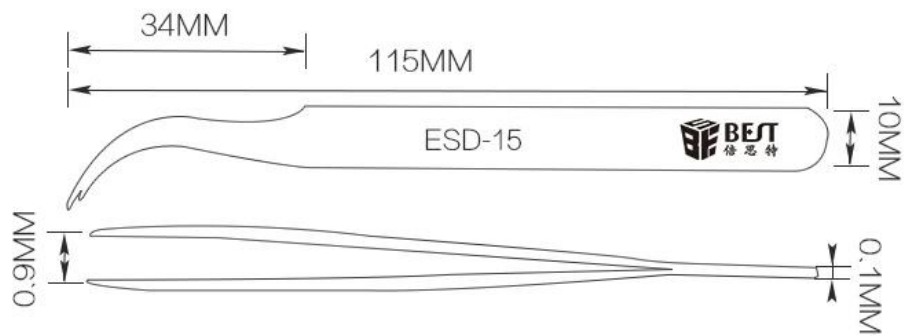


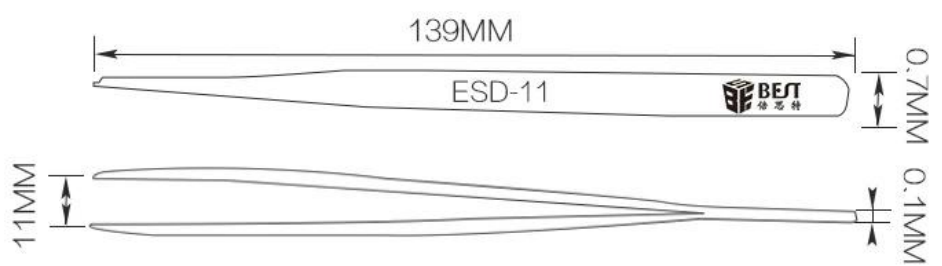
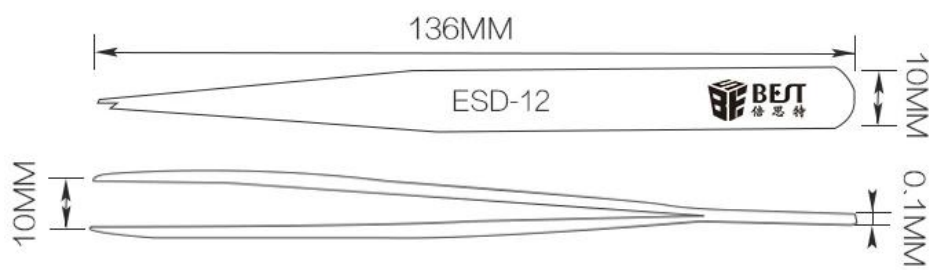
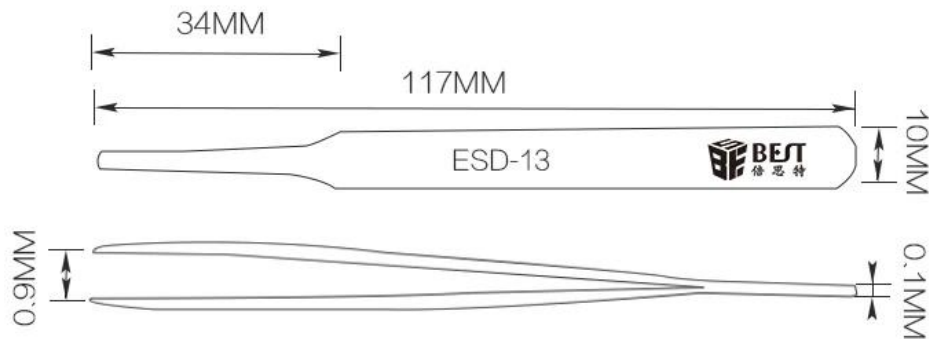
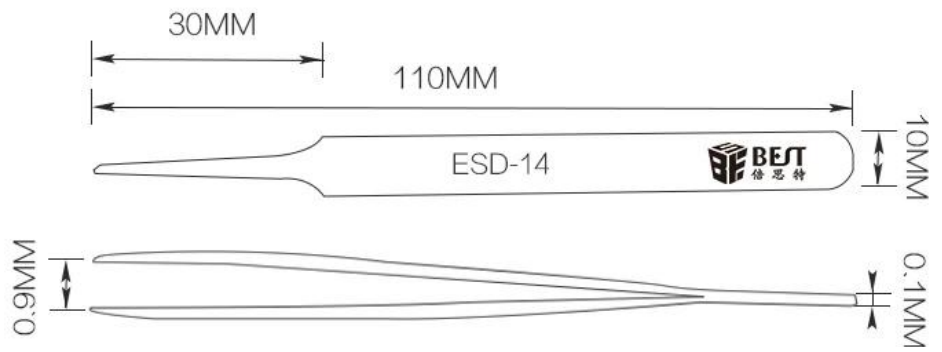
## Product Description:

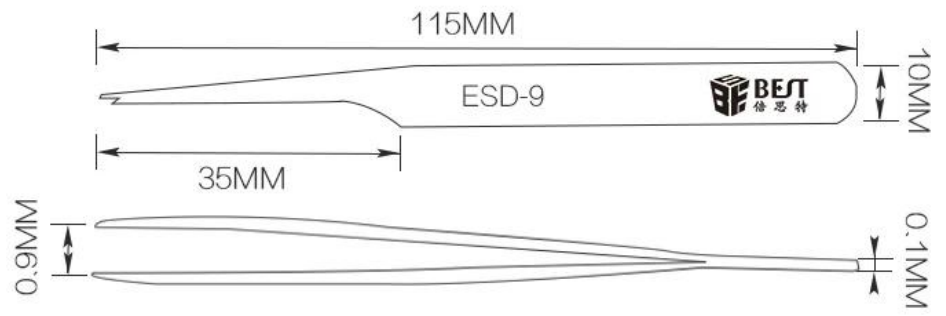
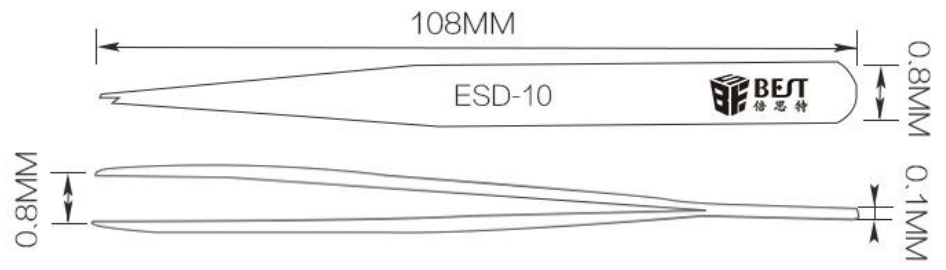
1. Made by the high quality stainless steel
2. Anti-corrosion and anti-acid
3. Cutting-edge parts of pure manual polishing, fine workmanship
4. Processed in high temperature and planting anti-static material
5. Tips after a long time use is still super straight

Can be used for electronic soldering, mobile phone repairing, leather work, lab, hospital, stamp ect. We manufactured different types tweezers, OEM is welcome. Please contact us if you special shape tweezers

## PRODUCT SIZE







PRODUCT DETAILS



ESD-9



ESD-10



ESD-11



ESD-12



ESD-13



ESD-14



ESD-15



ESD-16

## PRODUCT PHOTOGRAPH



## PRODUCT PACKAGING

