

SUPERCONDUCTING

Stacked banana plug

Female expansion dock interface cable



BST-090-JP





Superconducting
transmission



High temperature
resistant



Expansion plug
1 to 4



Wide range of
applications

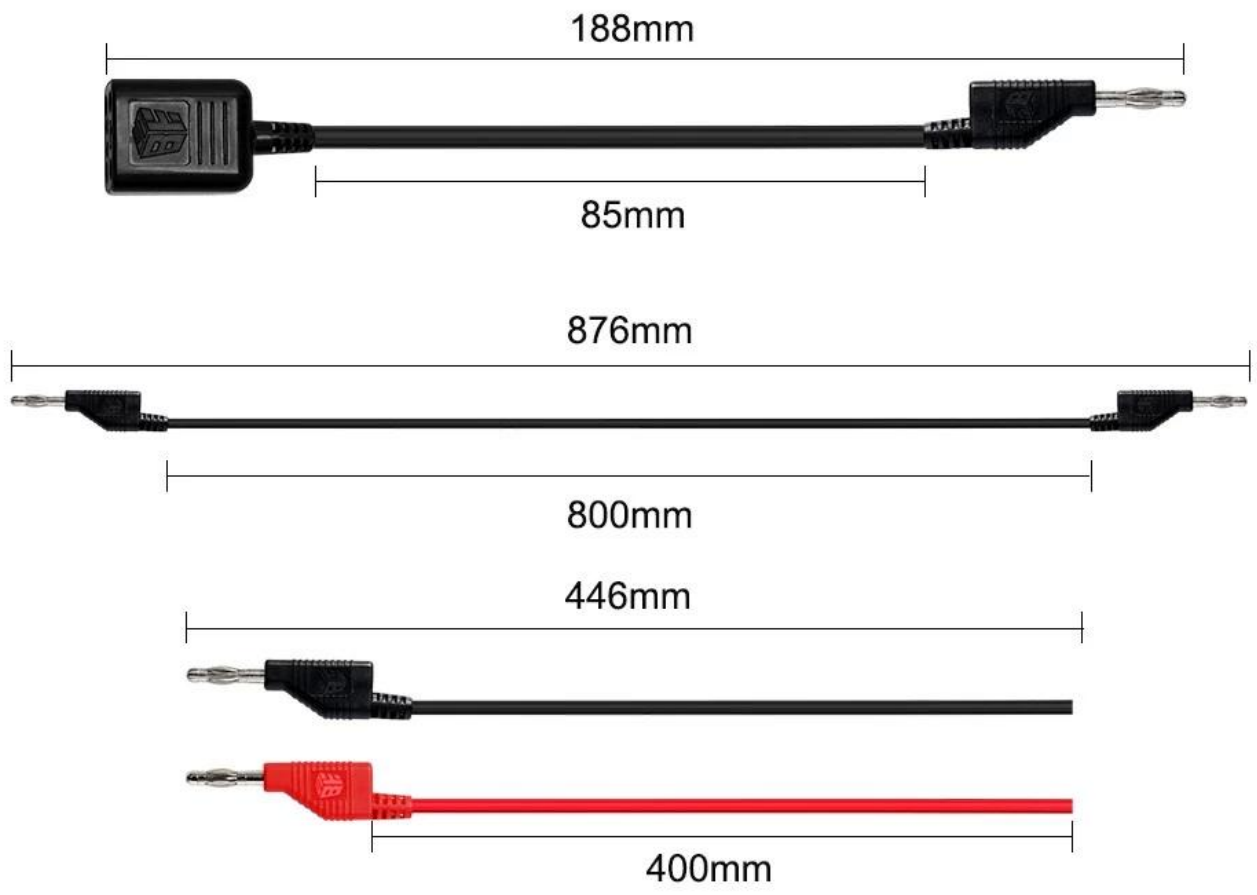


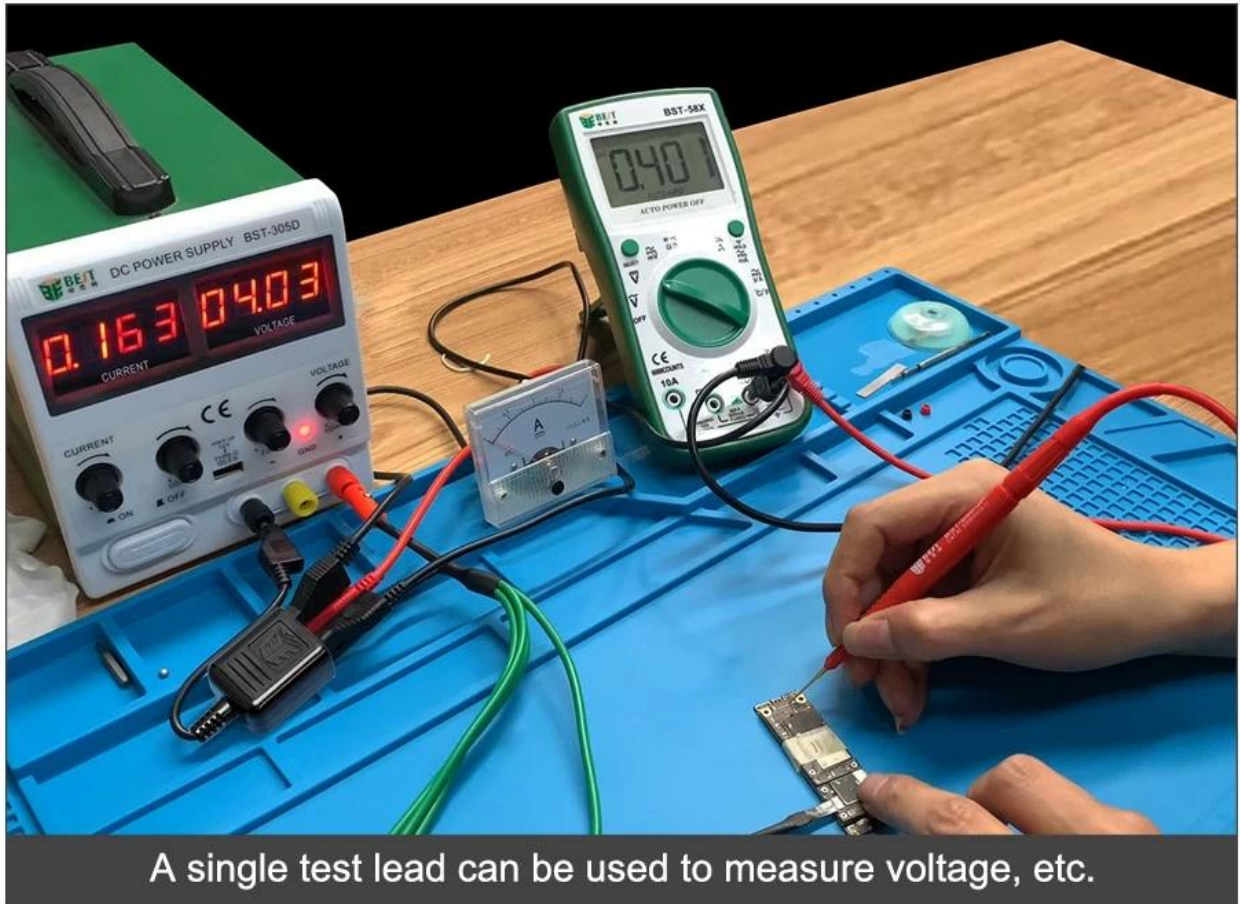
Parameters



| | |
|---------------|--|
| Product Type | Expansion Dock Interface Cable |
| Product Model | BST-090-JP |
| Material | Copper+Silicone+PVC+ABS |
| Safe Voltage | 2000V 20A |
| Dock Size | 33*27*20mm |
| Plug Size | 4.0*44mm |
| Wire Length | 8.5cm/80cm/40cm/40cm |
| Package Size | 120*200mm |
| G. W. | 100g |
| Accessories | Expansion dock*1, 80cm banana test line*1, 40cm banana test line*2 |



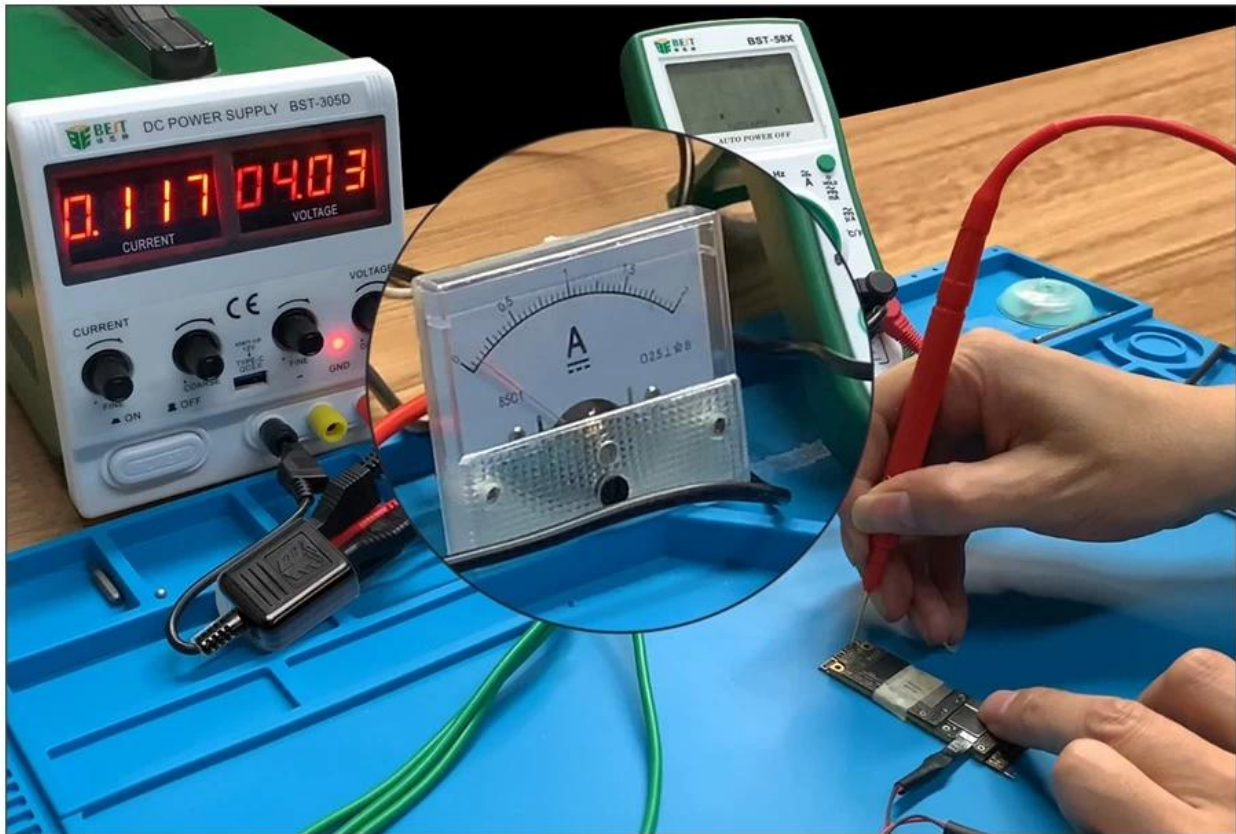




A single test lead can be used to measure voltage, etc.

Expansion dock usage display

One to four adapter, bidding farewell to the messy wires on the desktop, easier to use one handed testing



A single test lead can trigger the motherboard to start up

< /p>

Package Size

