

Description du produit

Meilleure marque originale,

Vérification de la qualité

Numéro d'article: Best-507 250g Solder Pâte

GAMME: Ordinateur portable / ordinateur / Appareils mobiles / ménagères SMD IC et BGA IC réparation, outil de niveau puceréparation Ligne de production électronique.

SOLDER PASTE

low temperature



500g

Low residue / Rapid welding / Solder spot bright

Product Usage

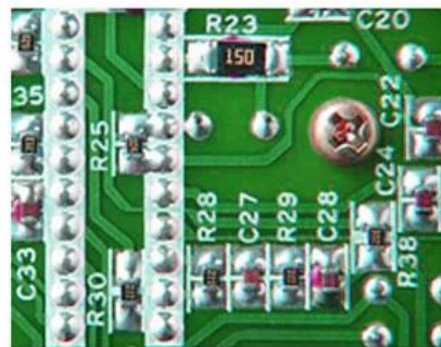
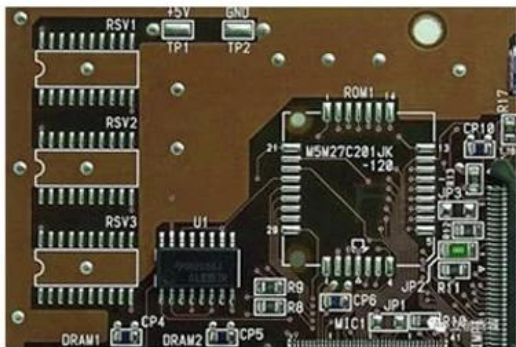


MODEL	BST-508
SHELF LIFE	6 months
INGREDIENT	Sn63/Pb37
WEIGHT	500g
MELTING POINT	183°C

Having a large insulation resistance does not corrode the PCB, and the requirements for no-cleaning can be achieved.



High impedance, full and bright solder, low residue



Welding requirements for a wide range of products



UNIFORM SOLDER JOINT
LOW TEMPERATURE MELTING POINT



PRODUCT SIZE



63.0MM



75MM

52MM

