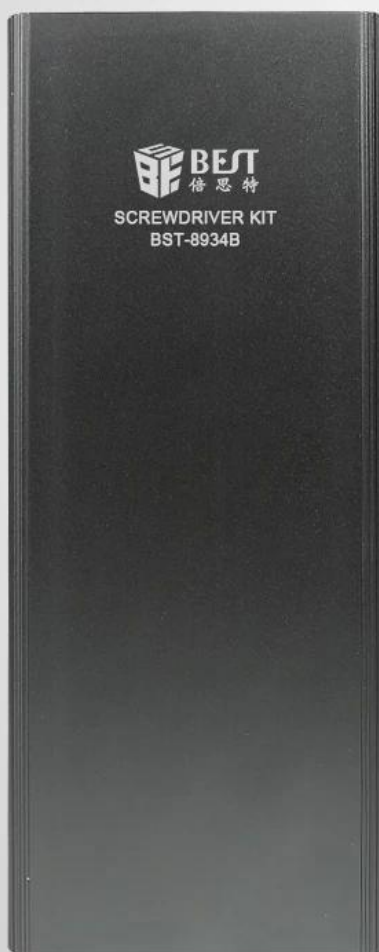


# 24-IN-1 SCREWDRIVER KIT



S2



Press to eject



Swivel cap



Tight adsorption






# Product Usage



MODEL	BST-8934B
PACKING SIZE	67*17*168mm
NAME	precision screwdriver KIT
MATERIAL	S2+aluminum+POM plastic+stainless steel
G.W.	230g

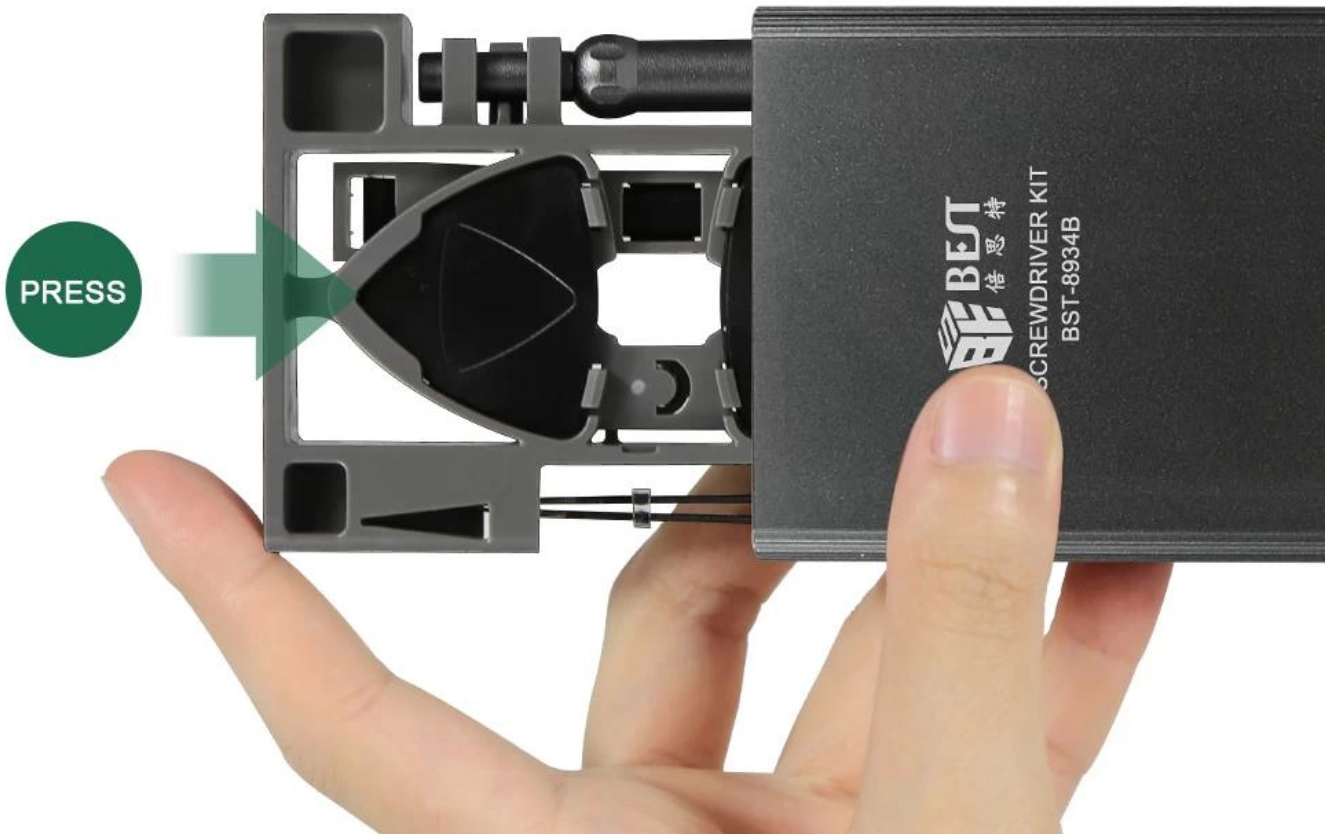


**【 lock 】 : durable double clasp**

Handle	117*11mm	X1	
Sim Eject	33*7mm	X1	
Tweezers	112*8mm	X1	
Crowbar	72*8mm	X1	
Pry Pick	30*30mm	X4	

27.8*3.95mm				
 T1	 T2	 T3	 T4	 T5
 PH000	 PH00	 PH0	 1.5	 2.0
 0.8	 1.2	 1.5	 1.5	 0.6
 H 2.5				

# Press to eject



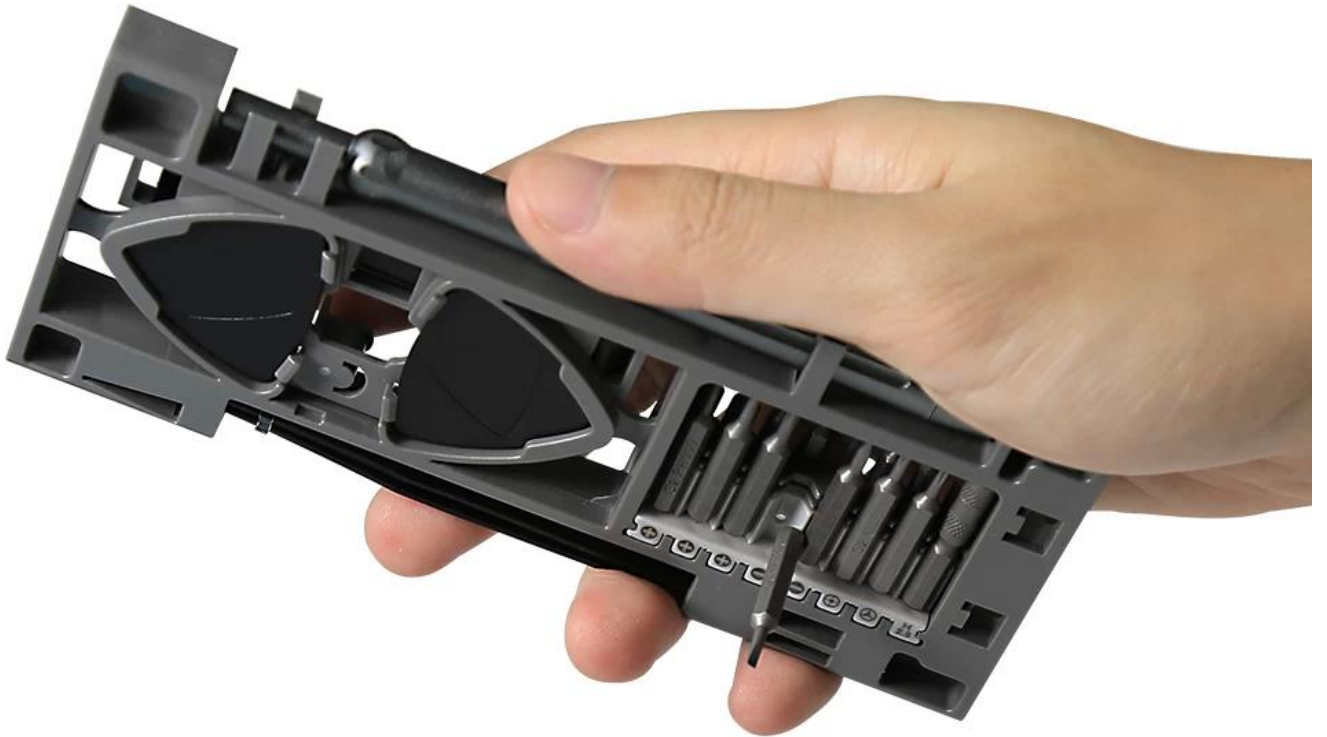
Can repair various of electronic products







Strong magnetic groove

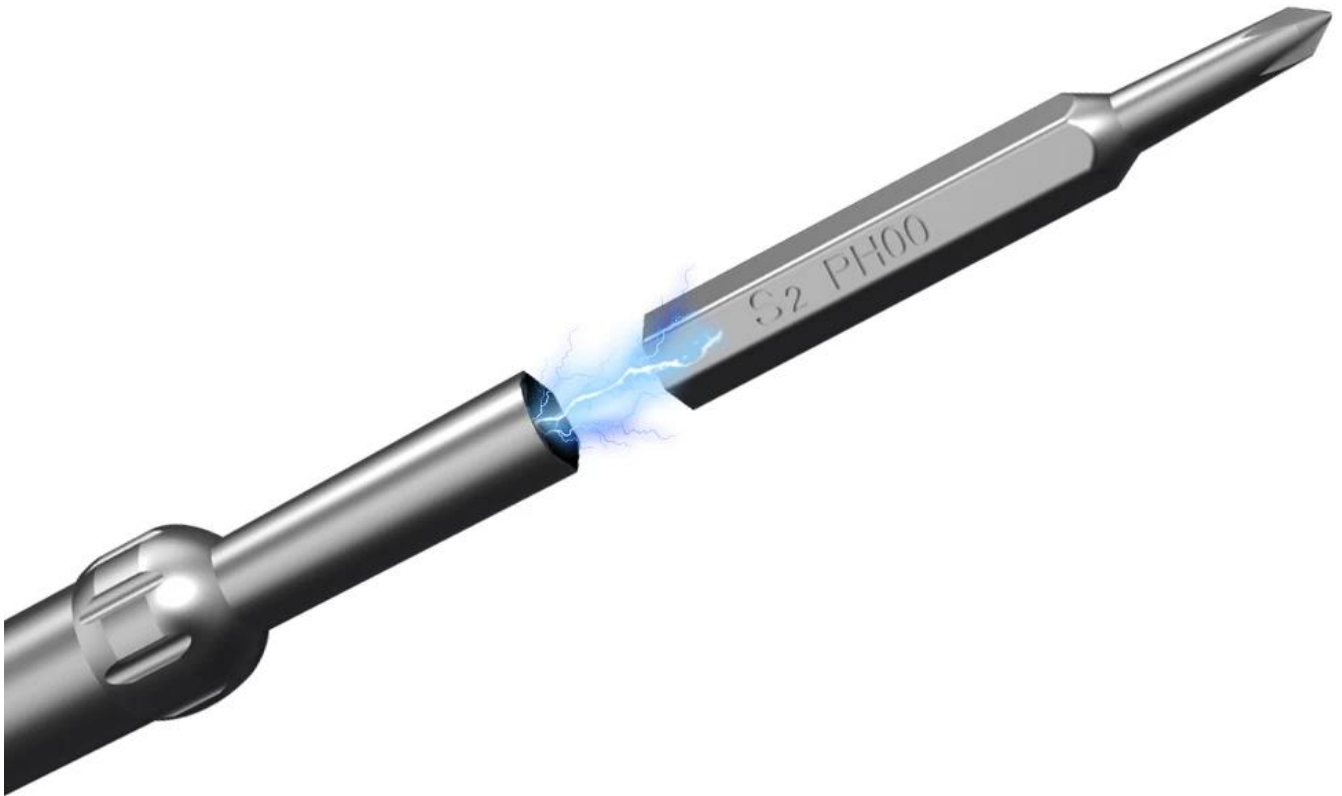




Swivel cap  
More convenient disassembly



Tight adsorption





# Product List



G.W.:230g



