

SUPERCONDUCTING

Stacked banana plug

Female expansion dock interface cable



BST-090-JP





Superconducting
transmission



High temperature
resistant



Expansion plug
1 to 4



Wide range of
applications

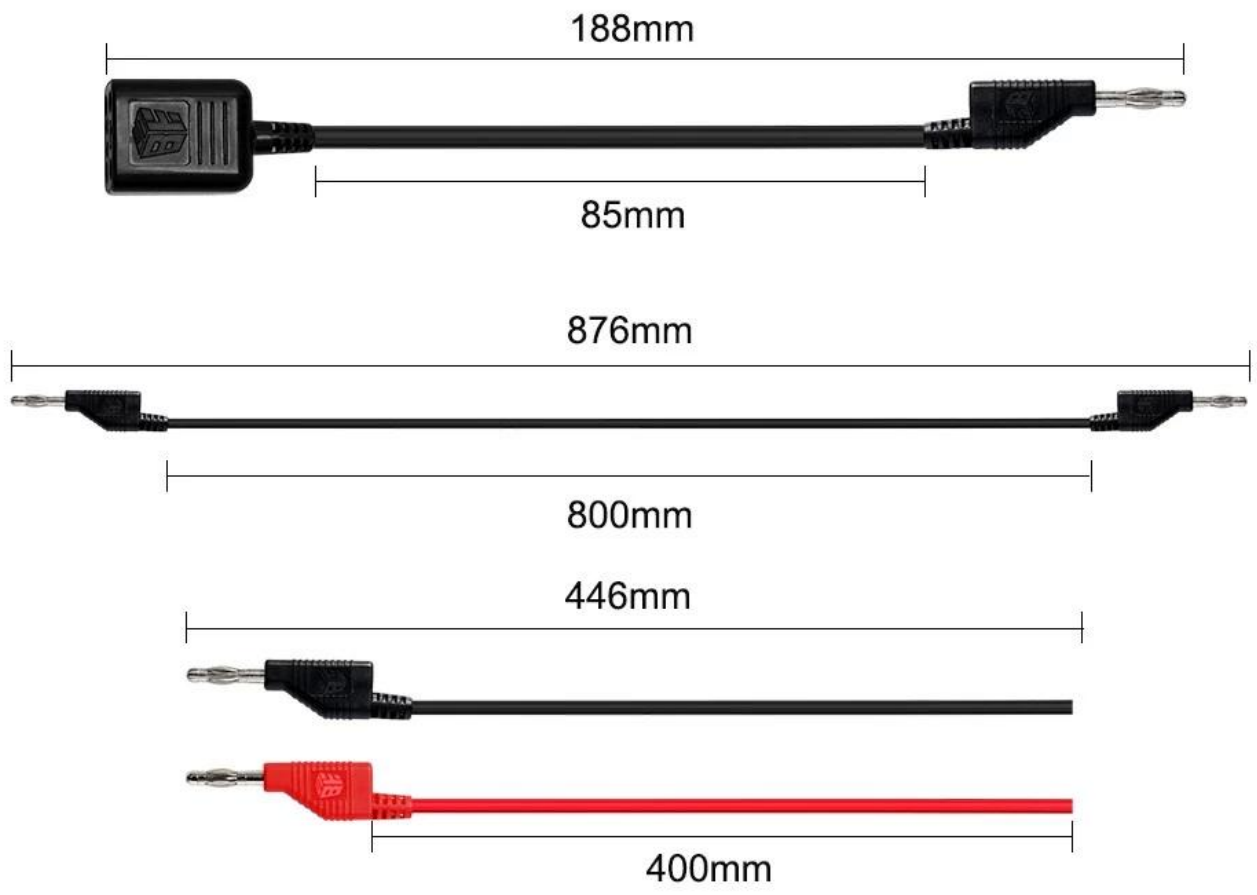


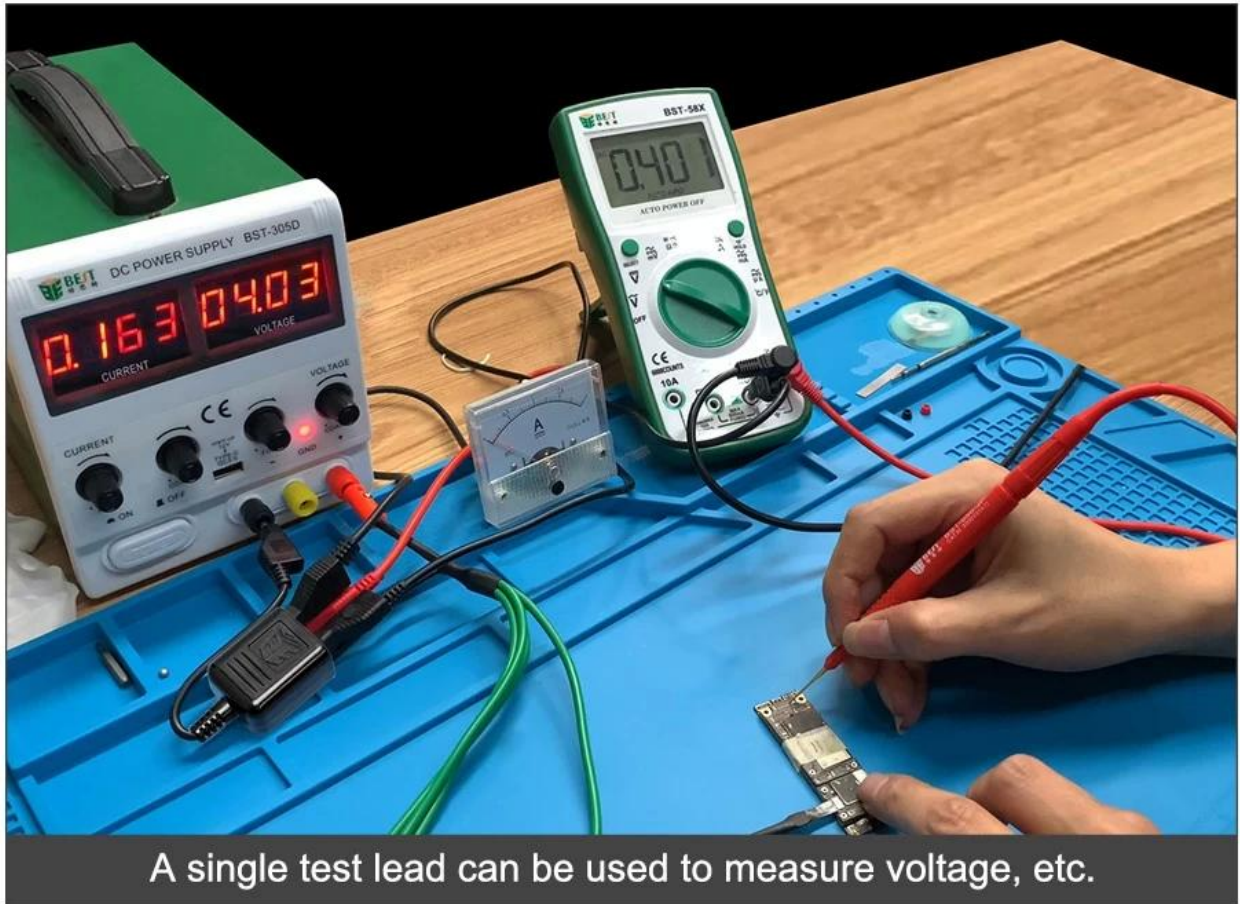
Parameters



Product Type	Expansion Dock Interface Cable
Product Model	BST-090-JP
Material	Copper+Silicone+PVC+ABS
Safe Voltage	2000V 20A
Dock Size	33*27*20mm
Plug Size	4.0*44mm
Wire Length	8.5cm/80cm/40cm/40cm
Package Size	120*200mm
G. W.	100g
Accessories	Expansion dock*1, 80cm banana test line*1, 40cm banana test line*2



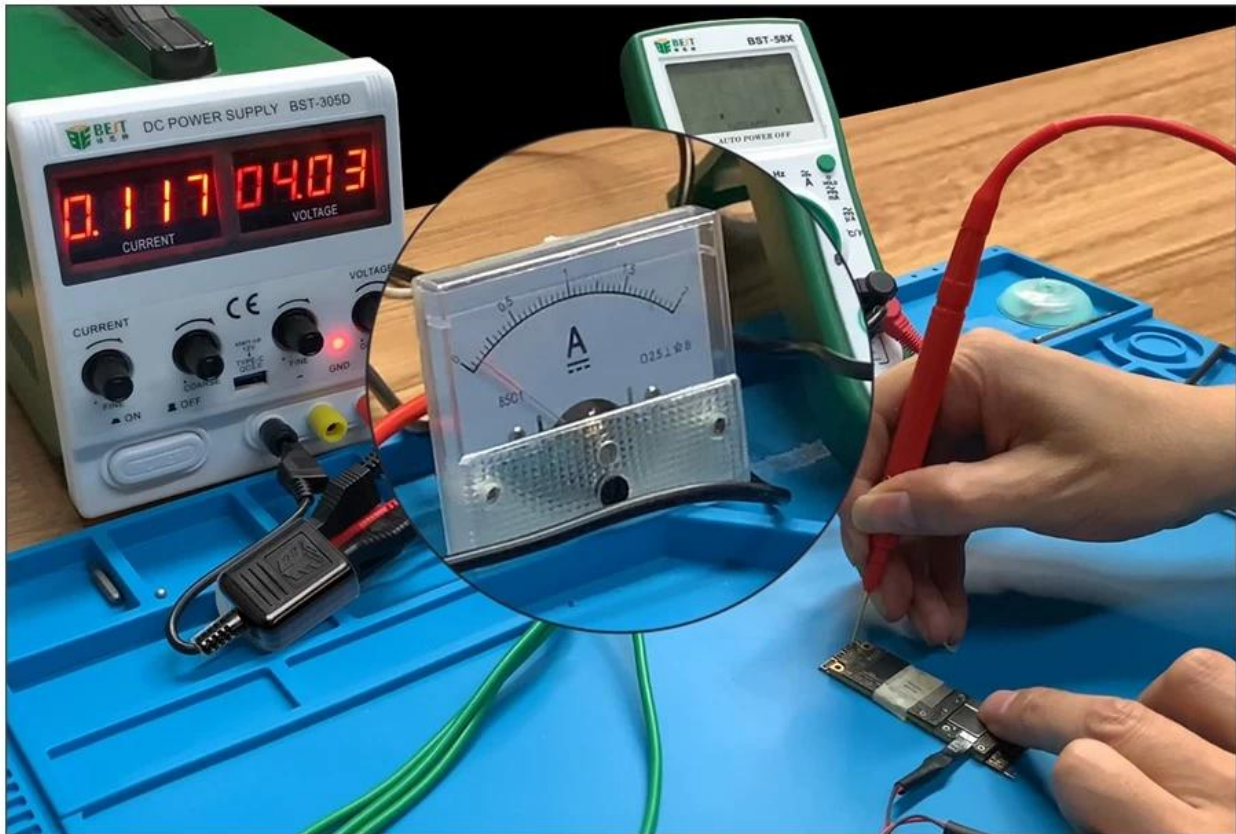




A single test lead can be used to measure voltage, etc.

Expansion dock usage display

One to four adapter, bidding farewell to the messy wires on the desktop, easier to use one handed testing



A single test lead can trigger the motherboard to start up

< /p>

Package Size

