

863 heat gun nozzle

Stainless steel material, 3 specifications optional
high temperature resistance



Original
Assembly



Durable
material



Safety and
environmental protection



Quality
assurance

High temperature resistant inclined heating gun nozzle

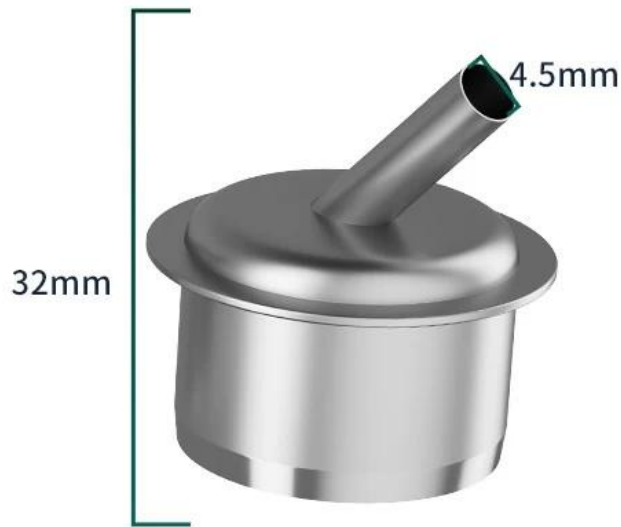
Precision components can be applied





product	heat gun nozzle	Nozzle diameter	6mm
high	33mm	weight	6g

4.5mm (round hole)



product	heat gun nozzle	Nozzle diameter	4.5mm
high	32mm	weight	6g

< /p>