

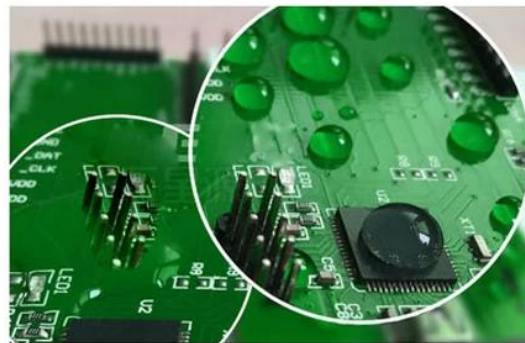


## Product Usage

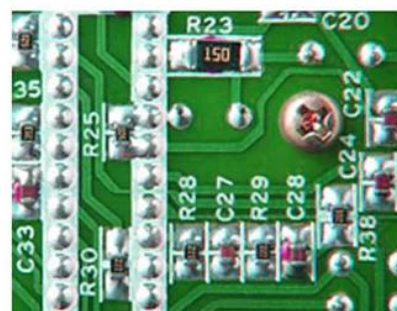
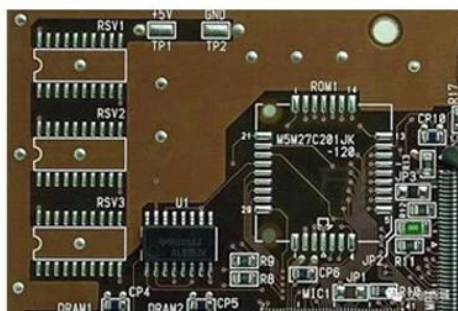


MODEL	BST-706
SHELF LIFE	6 months
INGREDIENT	Sn42/Bi58
WEIGHT	500g
MELTING POINT	138°C

Having a large insulation resistance does not corrode the PCB, and the requirements for no-cleaning can be achieved.



High impedance, full and bright solder, low residue



# Welding requirements for a wide range of products





## TESTING EFFECT

UNIFORM SOLDER JOINT  
MEDIUM TEMPERATURE MELTING POINT



## PRODUCT SIZE



63.0MM



52MM

75MM

