

0000

BEST-solder 00000000 IC 00000000

00 BEST 000

0000

0000000000/00/00/0000 SMD IC BGA IC 0000000000 00000000

0000

B  
E  
S  
T  
-  
7  
5

9  
7  
9  
0  
7  
7

0  
2  
2  
2  
5  
5

m  
0  
0  
0  
0  
0

8  
9  
0  
±  
1

# SOLDER PASTE

**Lead-free** High temperature



**500g**

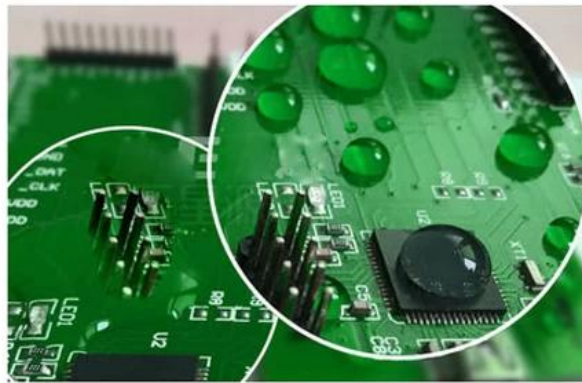
Low residue / Rapid welding / lead free / Solder spot bright / Ag

# Product Usage

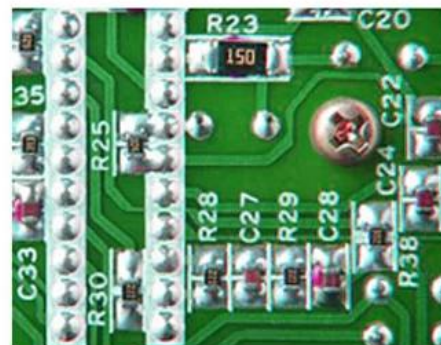
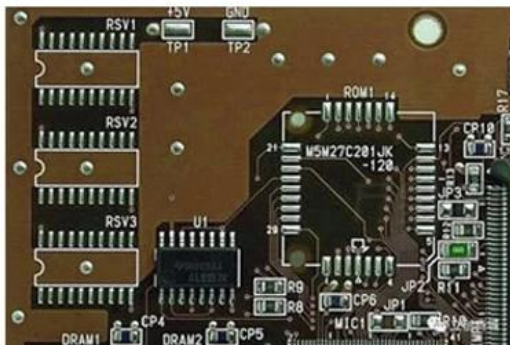


MODEL	BST-705
SHELF LIFE	6 months
INGREDIENT	Sn99/Ag0.3/Cu0.7
WEIGHT	500g
MELTING POINT	217°C

Having a large insulation resistance does not corrode the PCB, and the requirements for no-cleaning can be achieved.



High impedance, full and bright solder, low residue



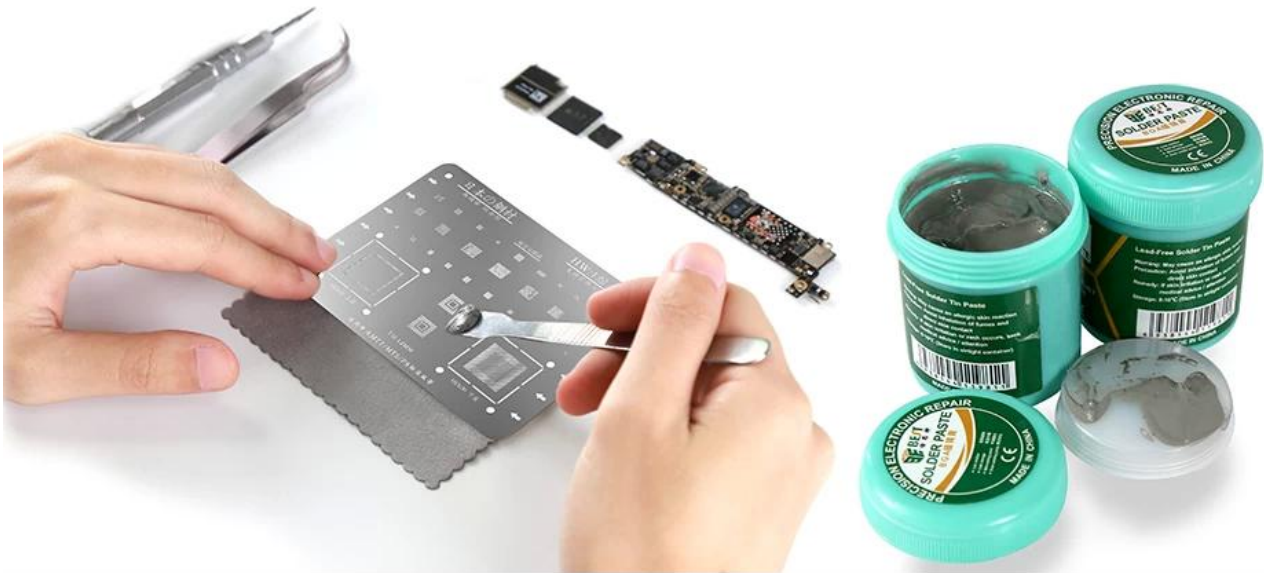


# Welding requirements for a wide range of products



## TESTING EFFECT

UNIFORM SOLDER JOINT  
MEDIUM TEMPERATURE MELTING POINT



## PRODUCT SIZE



63.0MM



52MM

75MM

