

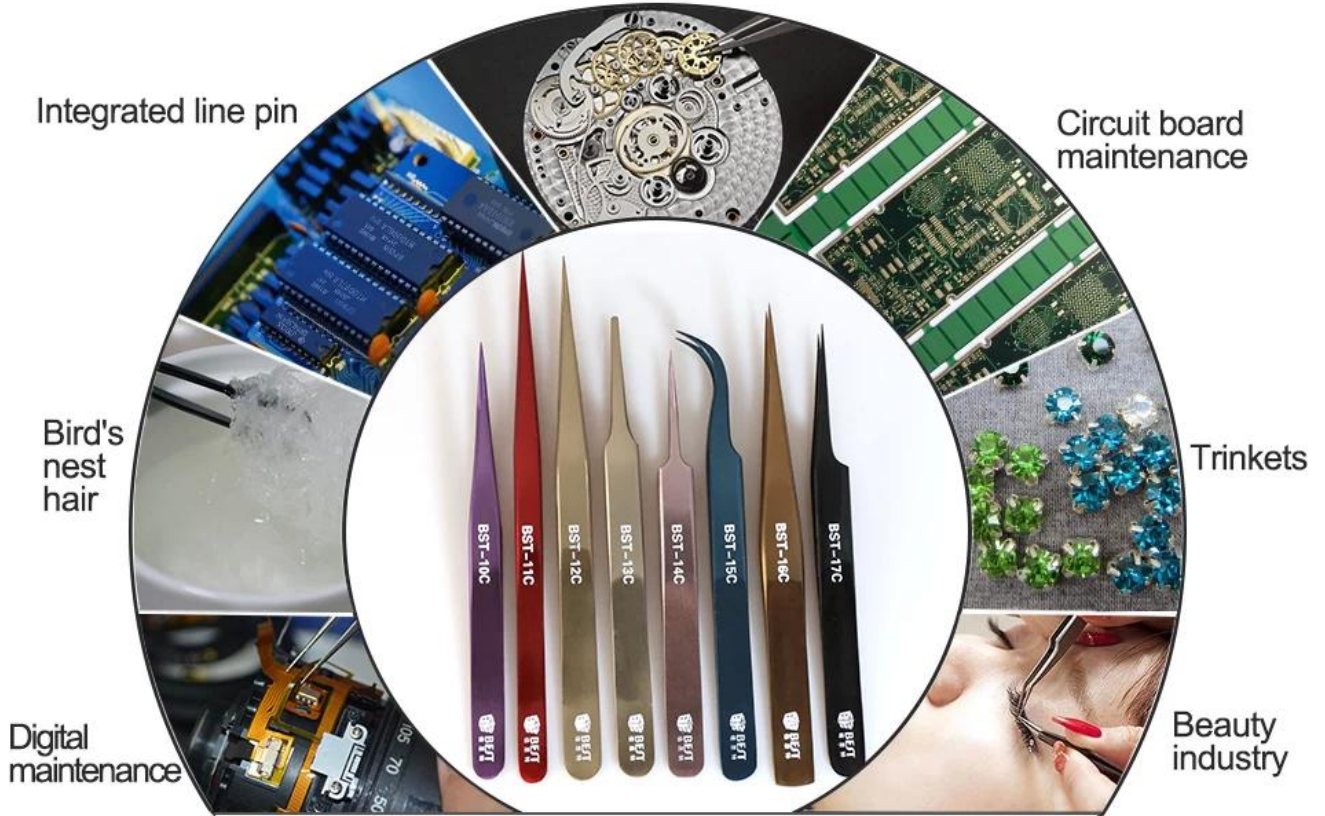
XXXXXXXXXXXXXXXXXXXX



XX;
XXXXXXXXXXXX

PRODUCT APPLICATION

Precision small devices



More use >>

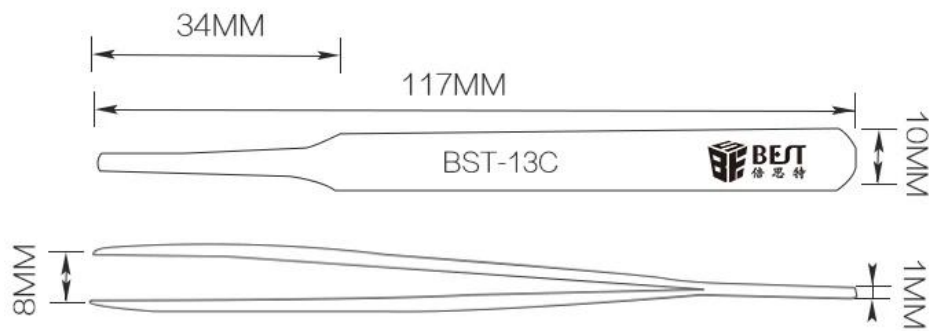
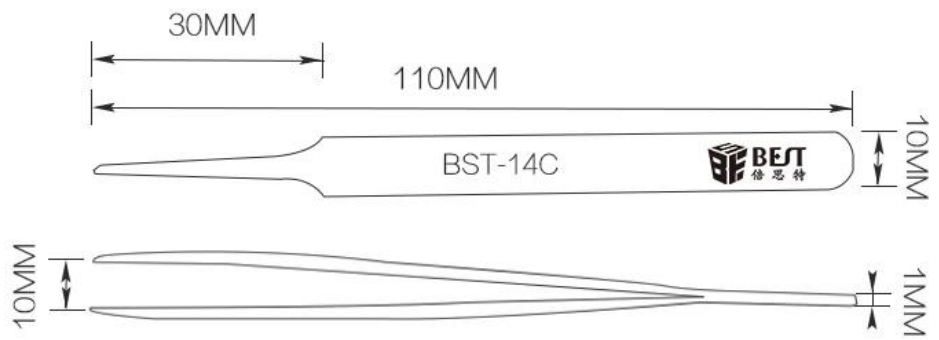
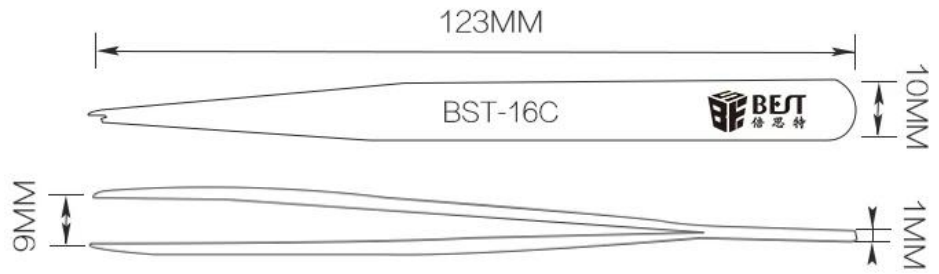


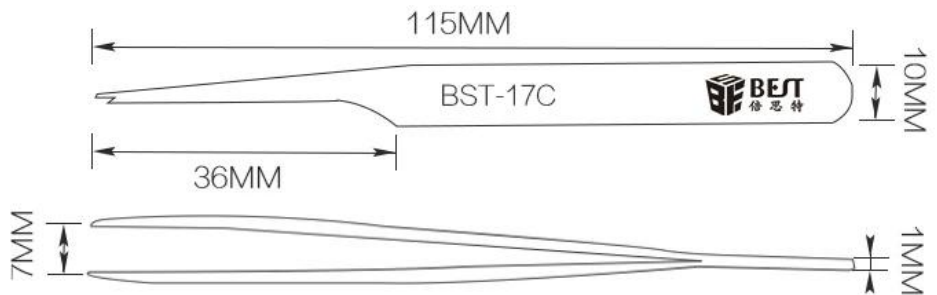
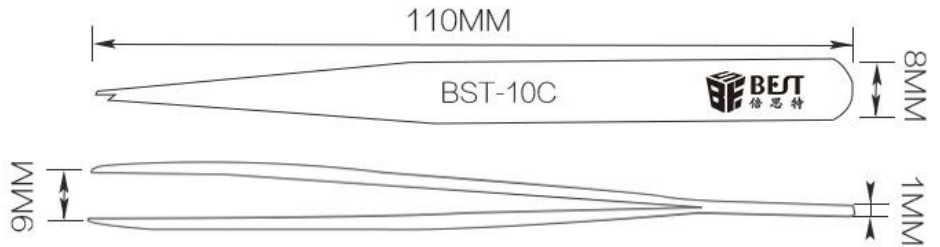
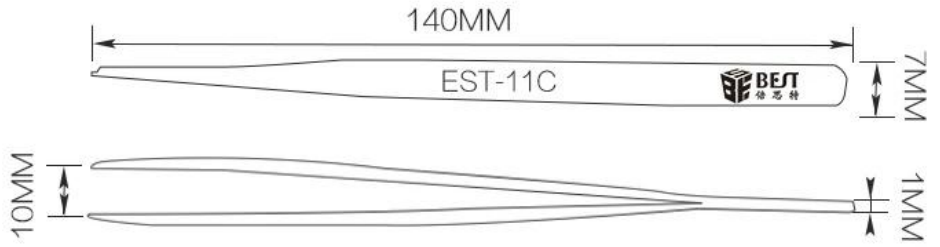
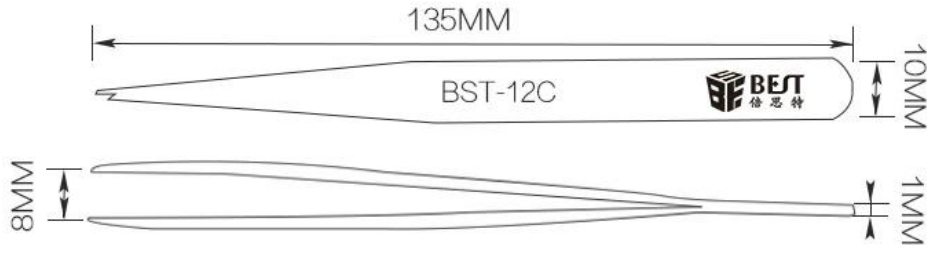
PRODUCT DISPLAY



PRODUCT SIZE







PRODUCT DETAILS



BST-10C



BST-11C



BST-12C



BST-13C



BST-14C



BST-15C



BST-16C



BST-17C

PRODUCT PHOTOGRAPH



PRODUCT PACKAGING

