

وصف المنتج

- 100% 100% 100% 100%
- 100% 100% 100% 100%
- 100% 100% 100% 100%
- 100% 100% 100% 100%
- 100% 100% 100% 100%

مواصفات

المنتج: BST-706

138 °C نقطة الانصهار:

500G الوزن:

المقادير: Sn99%, Cu0.7%, Ag0.3%

SOLDER PASTE

Lead-free medium temperature



500g

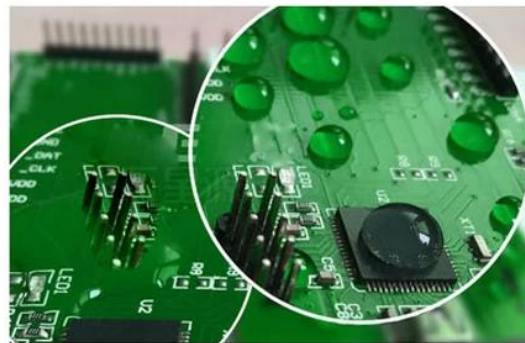
Low residue / Rapid welding / lead free / Solder spot bright

Product Usage

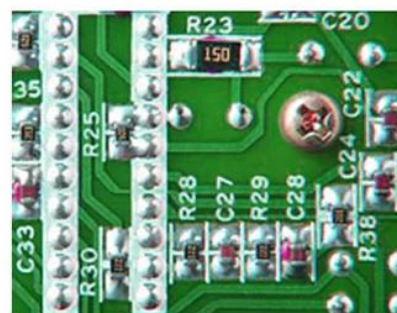
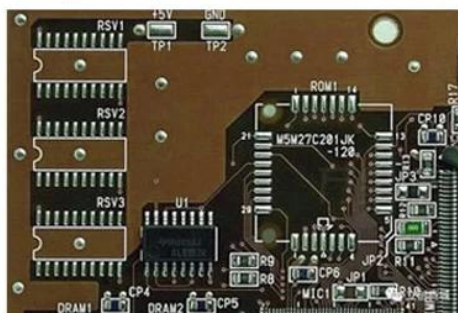


MODEL	BST-706
SHELF LIFE	6 months
INGREDIENT	Sn42/Bi58
WEIGHT	500g
MELTING POINT	138°C

Having a large insulation resistance does not corrode the PCB, and the requirements for no-cleaning can be achieved.



High impedance, full and bright solder, low residue



Welding requirements for a wide range of products



TESTING EFFECT

UNIFORM SOLDER JOINT
MEDIUM TEMPERATURE MELTING POINT



PRODUCT SIZE



63.0MM



75MM

52MM

