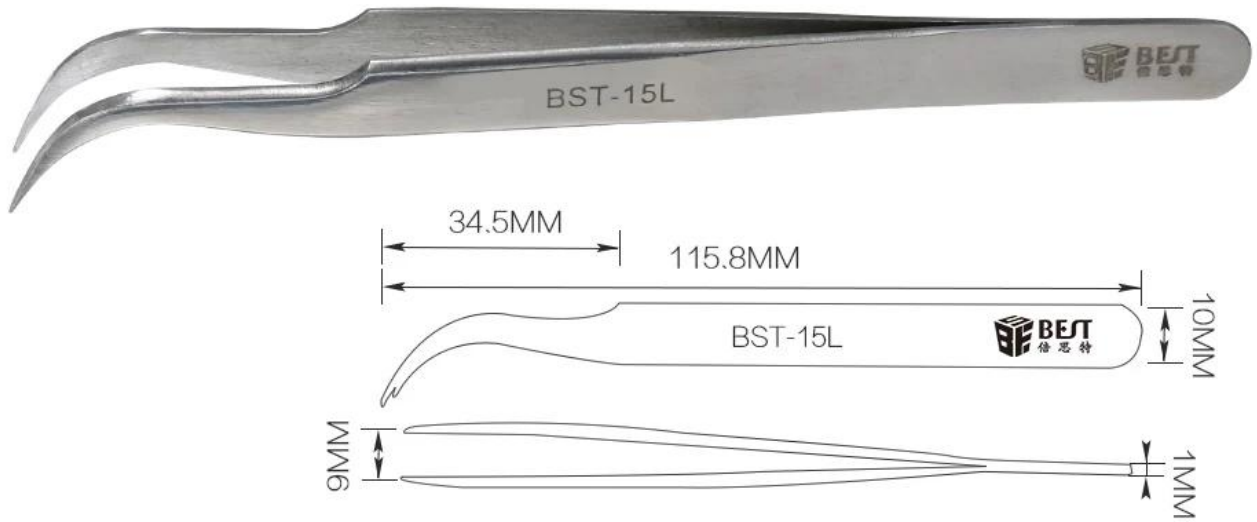


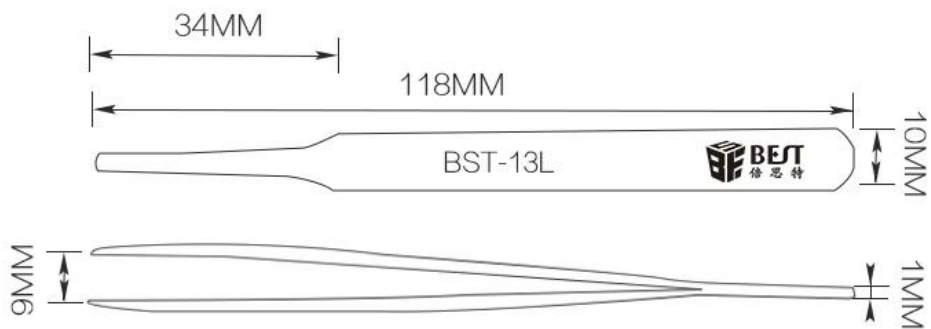
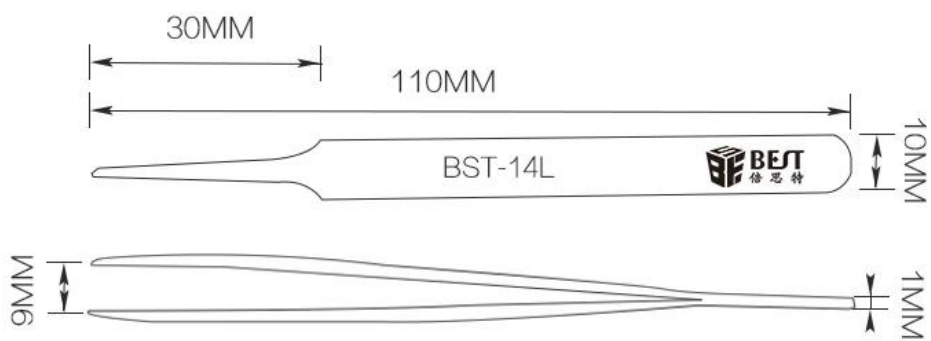
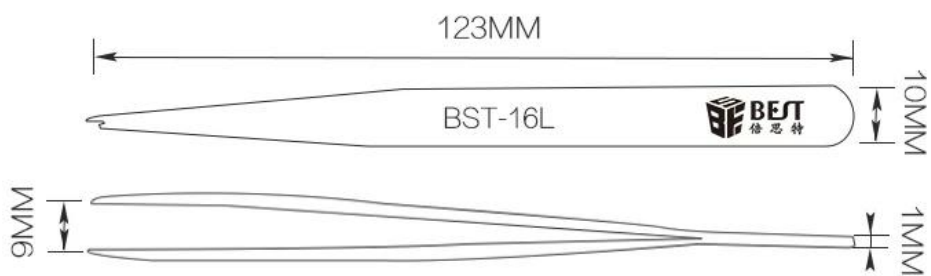


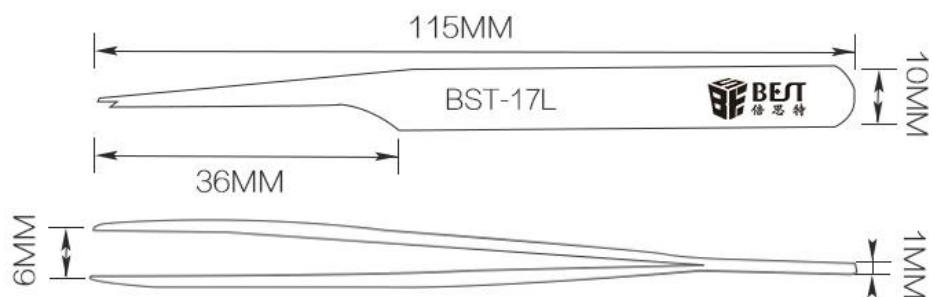
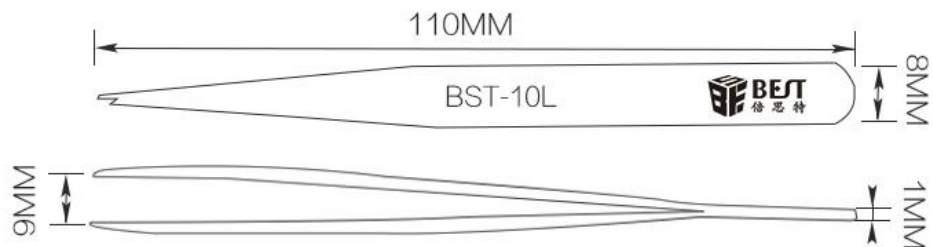
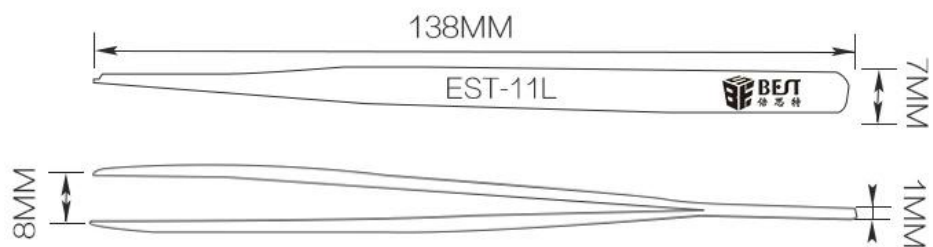
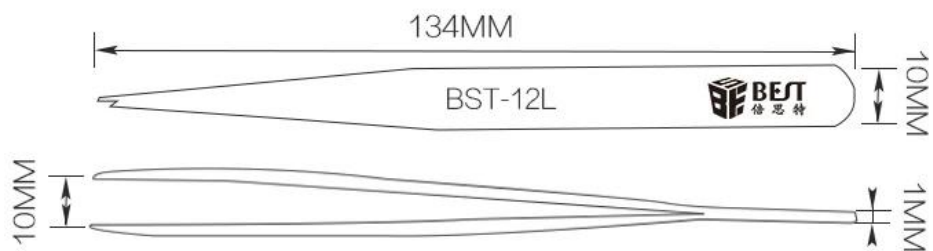
# PRODUCT DISPLAY



# PRODUCT SIZE







## PRODUCT DETAILS



BST-10L



BST-11L



BST-12L



BST-13L



BST-14L



BST-15L



BST-16L



BST-17L

## PRODUCT PHOTOGRAPH



# PRODUCT PACKAGING

