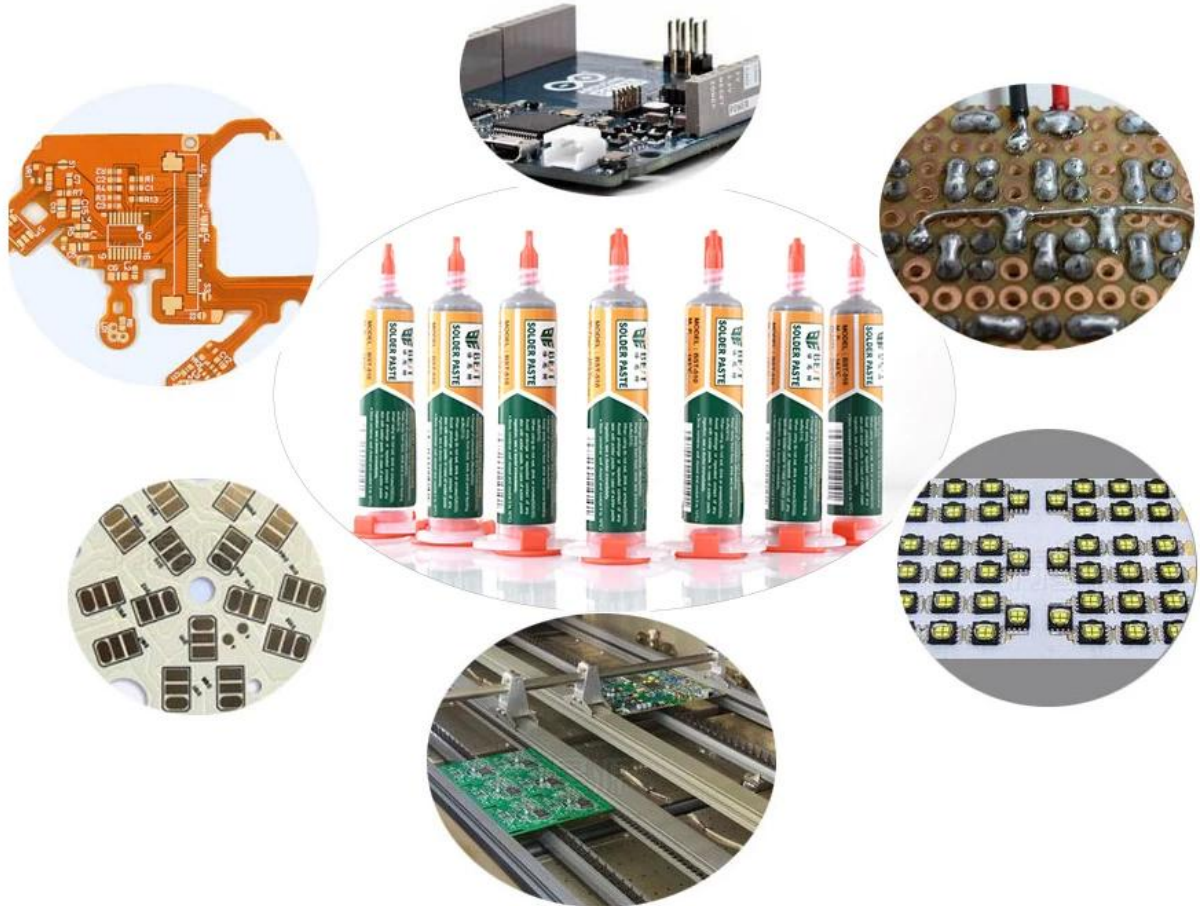
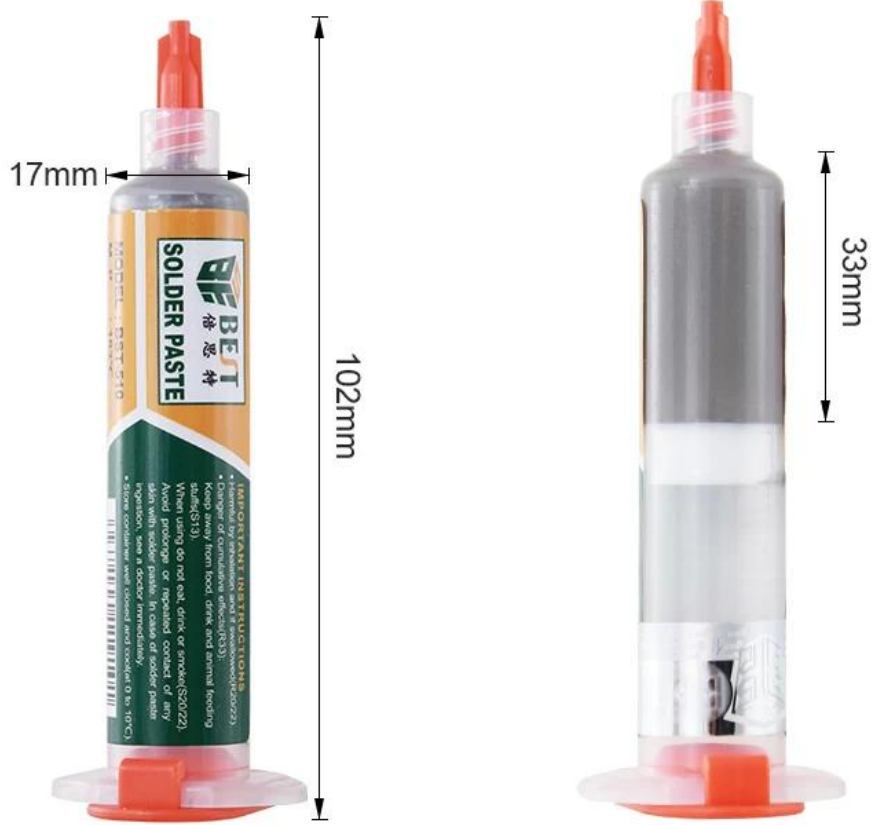


□
 □
 100% □
 □
 □
 □
 □
 □
 □
 □
 □
 □
 □
 □: BST-510
 □: 183 °C
 □: 10cc
 □: 38g
 □: Sn63%

PRODUCT USAGE



PRODUCT SIZE





Brand: BEST

Model Number:510

Melting point:183°C

Ingredients: Sn63% Pb37

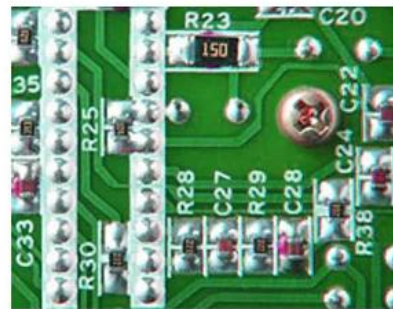
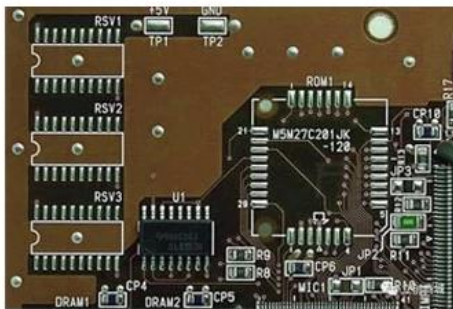
Volume:10cc

Weight: 38g

Having a large insulation resistance does not corrode the PCB, and the requirements for no-cleaning can be achieved.



High impedance, full and bright solder, low residue



PRODUCT PHOTOGRAPH



