

Products

1. 729 tweezers are made by 202 stainless steel
2. Cutting-edge parts of pure manual polishing, fine workmanship
3. The tweezers are processed in high temperature and planting anti-static material
4. The tip are curved, anti-corrosion and anti-acid
5. With competitive price, and good quality

Application

The tweezers can be used for eyelash extension, electronic repairing, leather work, lab, hospital, stamp ect.

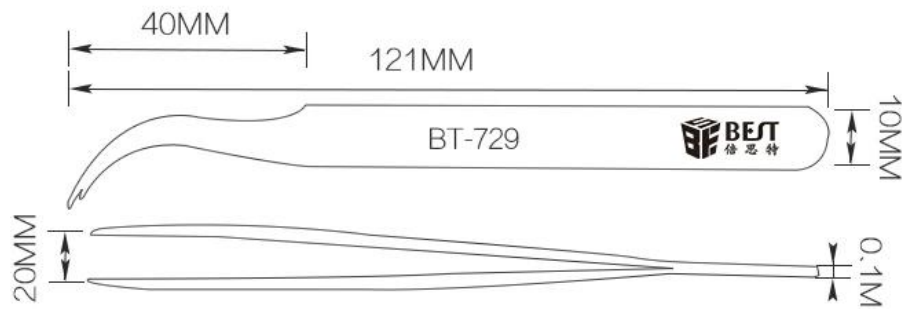
Specifications

Category:	ESD Tweezer
Model:	BST-729
Material:	202 Stainless steel
Magnetism:	Non
Surface treatment:	Flash black lacquer
Tip strength:	>HRC40°
Length:	120mm
Weight:	25g(With package)
Packing:	20pcs/box
Weight/box:	595g
Size of box:	204*163*45(L*W*H)
Size of carton:	500*340*430mm(L*W*H)

PRODUCT DISPLAY



PRODUCT SIZE



PRODUCT DETAILS



PRODUCT PHOTOGRAPH





PRODUCT PACKAGING

