

863 heat gun nozzle

Stainless steel material, 3 specifications optional
high temperature resistance



Original
Assembly



Durable
material



Safety and
environmental protection



Quality
assurance

High temperature resistant inclined heating gun nozzle

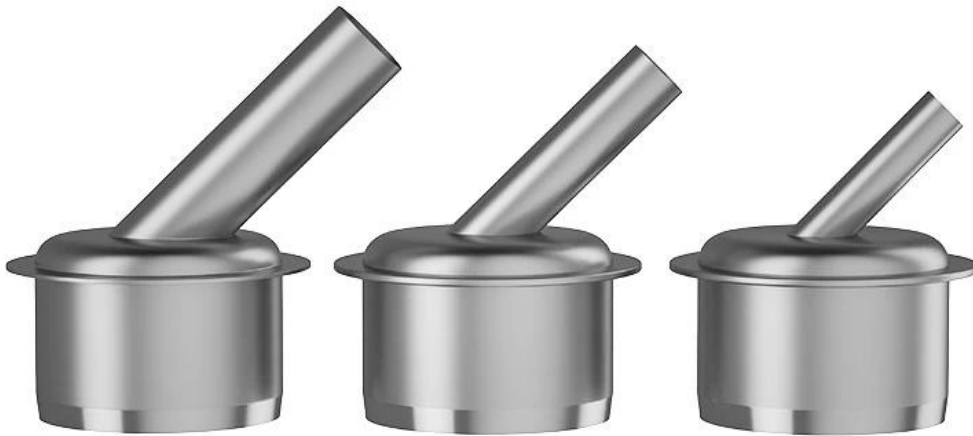
Precision components can be applied



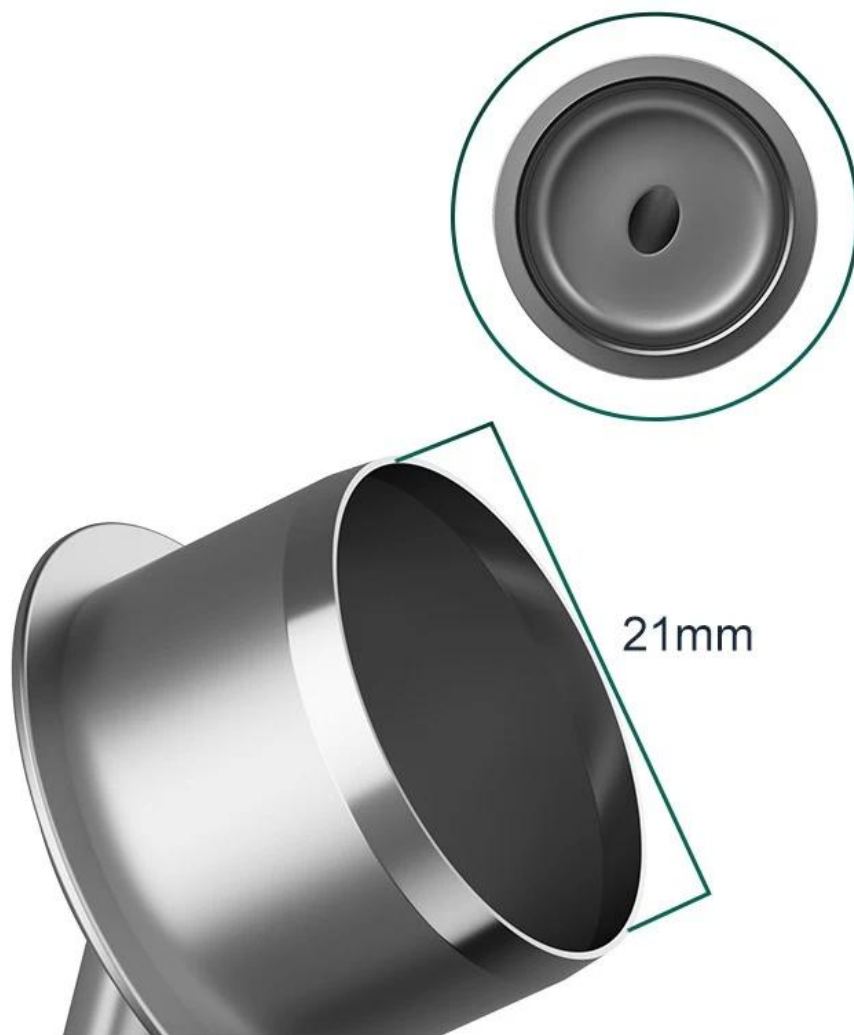
Quality Assurance

Made of stainless steel

Not easy to rust and durable



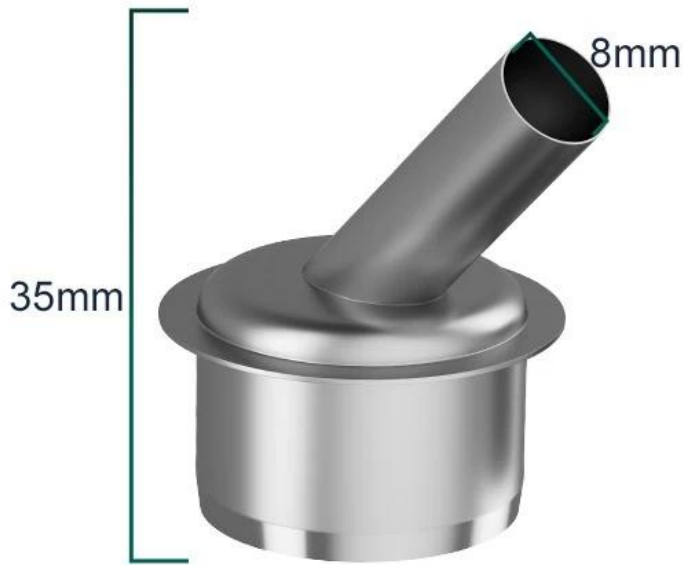
Bottom



Product parameters

There is a certain error in manual measurement, please refer to the actual product

8mm (round hole)

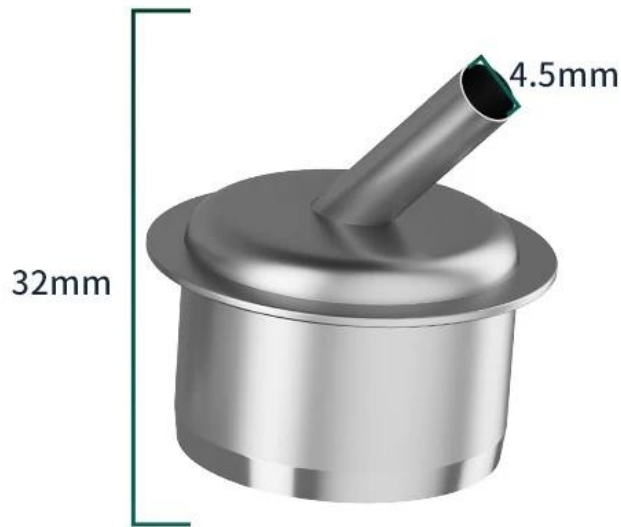


product	heat gun nozzle	Nozzle diameter	8mm
high	35mm	weight	6g



product	heat gun nozzle	Nozzle diameter	6mm
high	33mm	weight	6g

4.5mm (round hole)



product	heat gun nozzle	Nozzle diameter	4.5mm
high	32mm	weight	6g