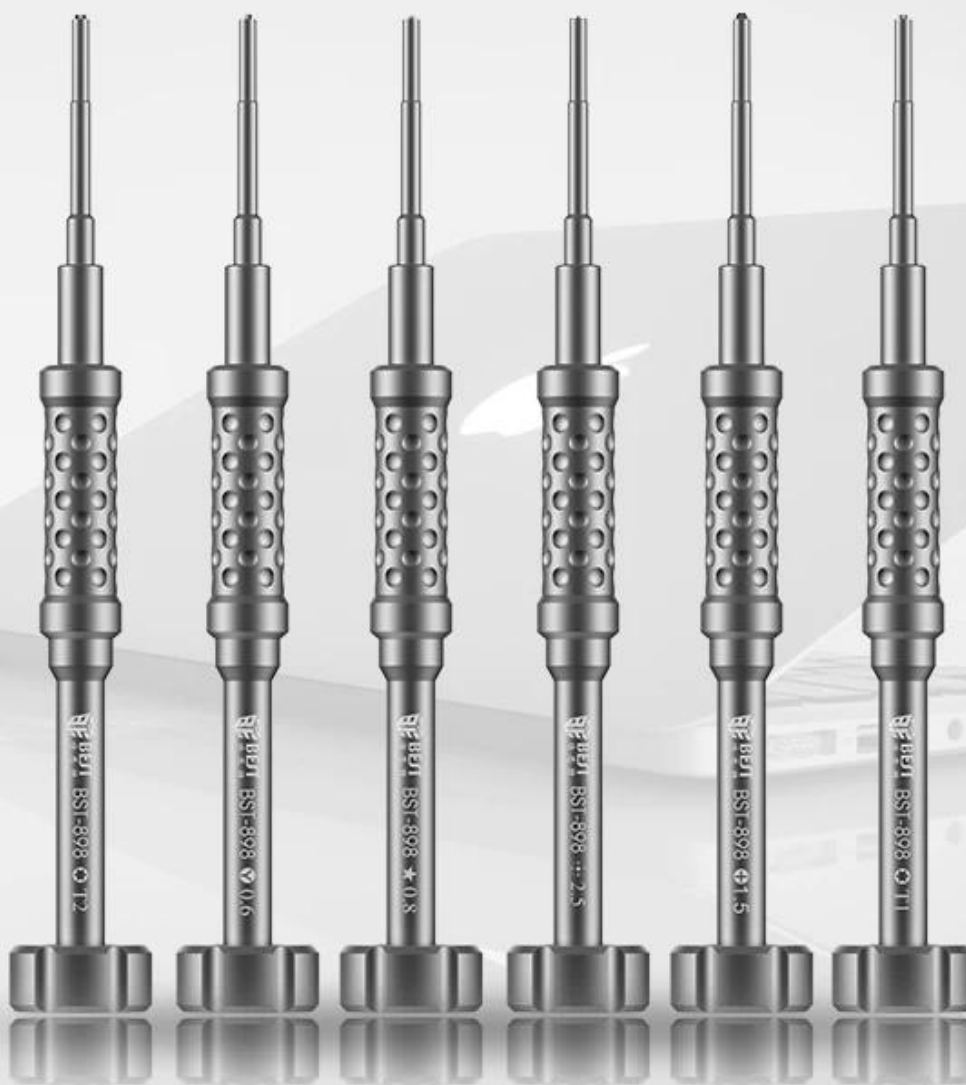


Descrizione del prodotto

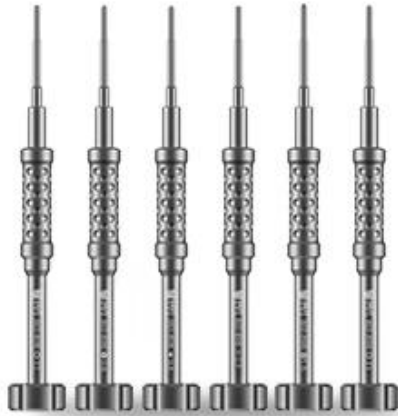
1	Impugnatura in alluminio aeronautico, buona sensazione di impugnatura, antiscivolo, anti-compattazione, antiruggine, migliora efficacemente l'efficienza del lavoro
2	Punta per vite di alta precisione, si abbina perfettamente alla vite e può forare facilmente viti rotte.
3	Testa 3d in acciaio inossidabile S2

3D MOBILE PHONE

DISASSEMBLE SCREWDRIVER



Product Usage

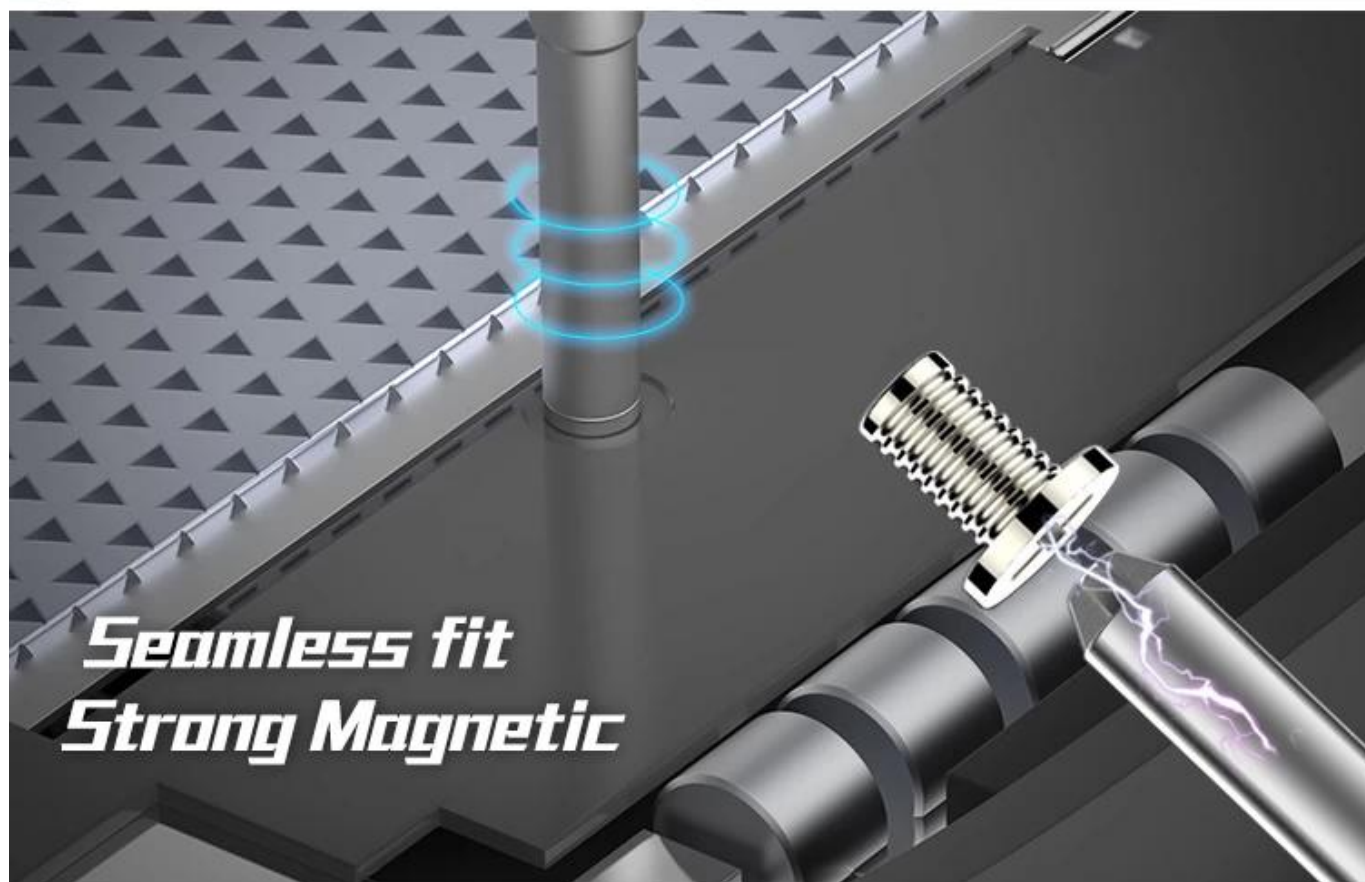


MODEL	BST-898
N.W.	25.6g
MATERIAL QUALITY	S2
PACKAGING SIZE	135x19mm
PRODUCT TYPE	Bolt driver

▼ CHARACTERISTICS

This screwdriver is used for mobile phone disassembly and assembly. It uses aerospace aluminum alloy handle, anti-slip, anti-interference, anti-rust, S2 integrated batch head without shaking, effectively improve work efficiency...

PRODUCT INFORMATION



Seamless fit
Strong Magnetic

EFFICIENCY IMPROVEMENT

Quick disassembly and assembly



SILENT KNOB

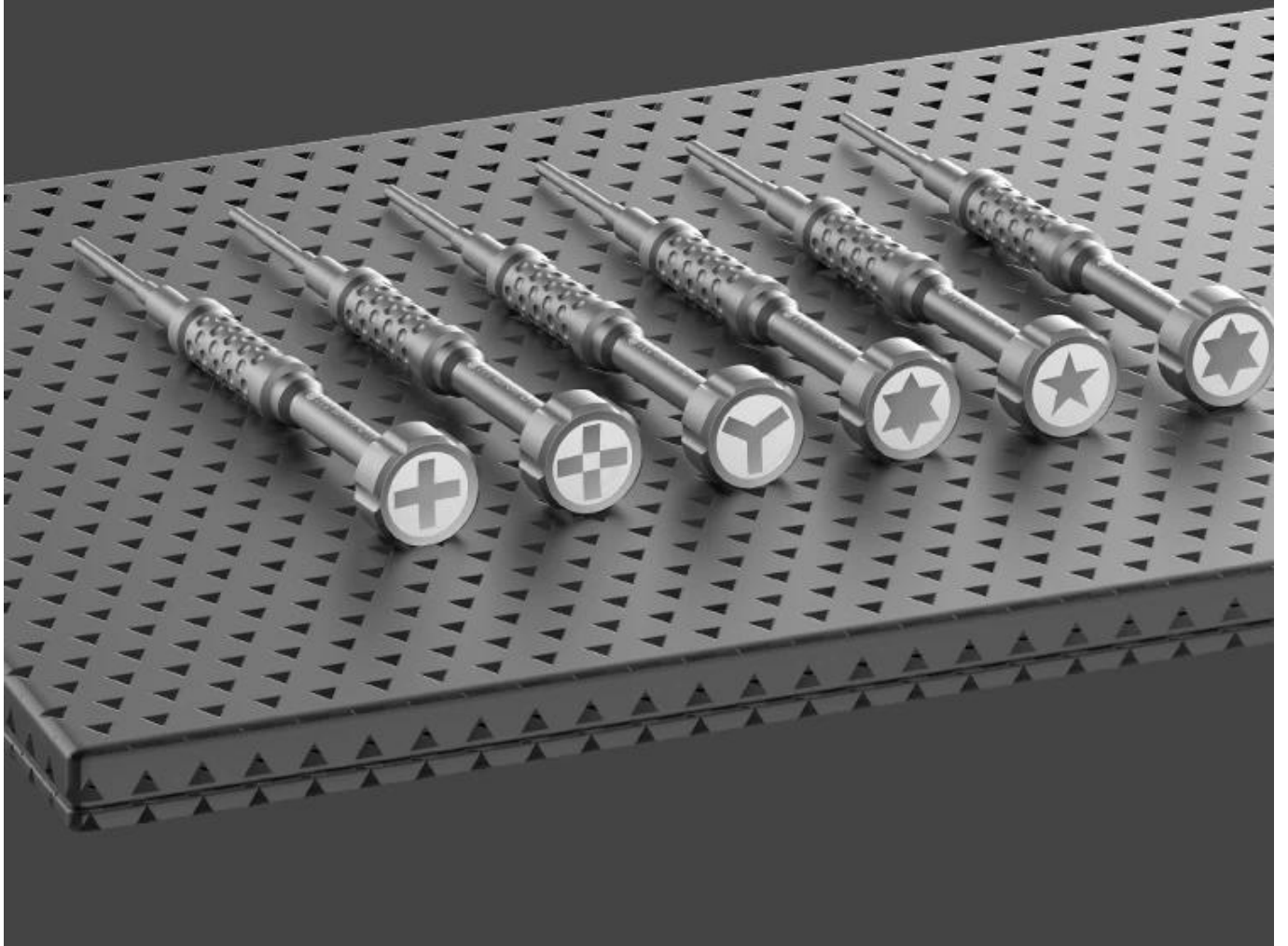
Have a better experience when using

ONE-PIECE SOLID BIT

the head does not shake



Laser engraving cutter head pattern for easy identification





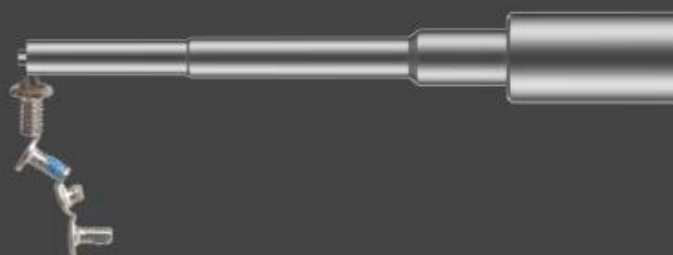
Aviation alloy aluminum handle

NdFeB magnet

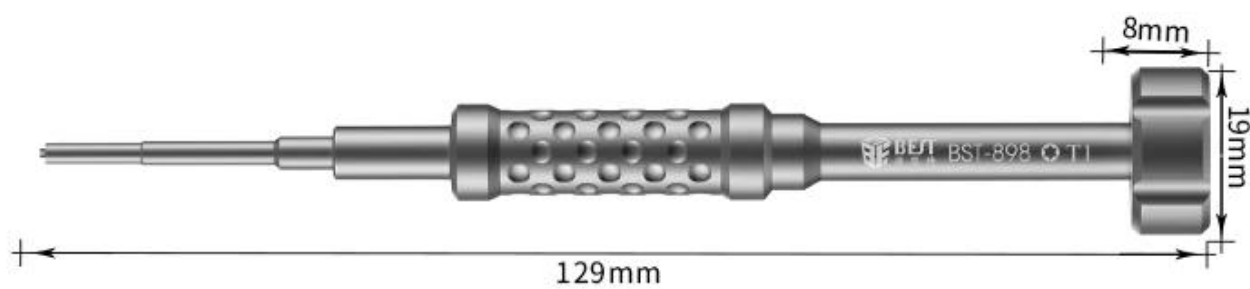
Silent knob

S2 steel 3D screwdriver head

STRONG MAGNETIC TIPS



 PRODUCT SIZE





Y
0.6



T1



T2



1.5



0.8



2.5

High quality materials to create
quality products

