

600 times

HD digital microscope

- ✓ Taking pictures
- ✓ Recording
- ✓ Support TF card
- ✓ Adjust LED lights



PRODUCT DETAILS

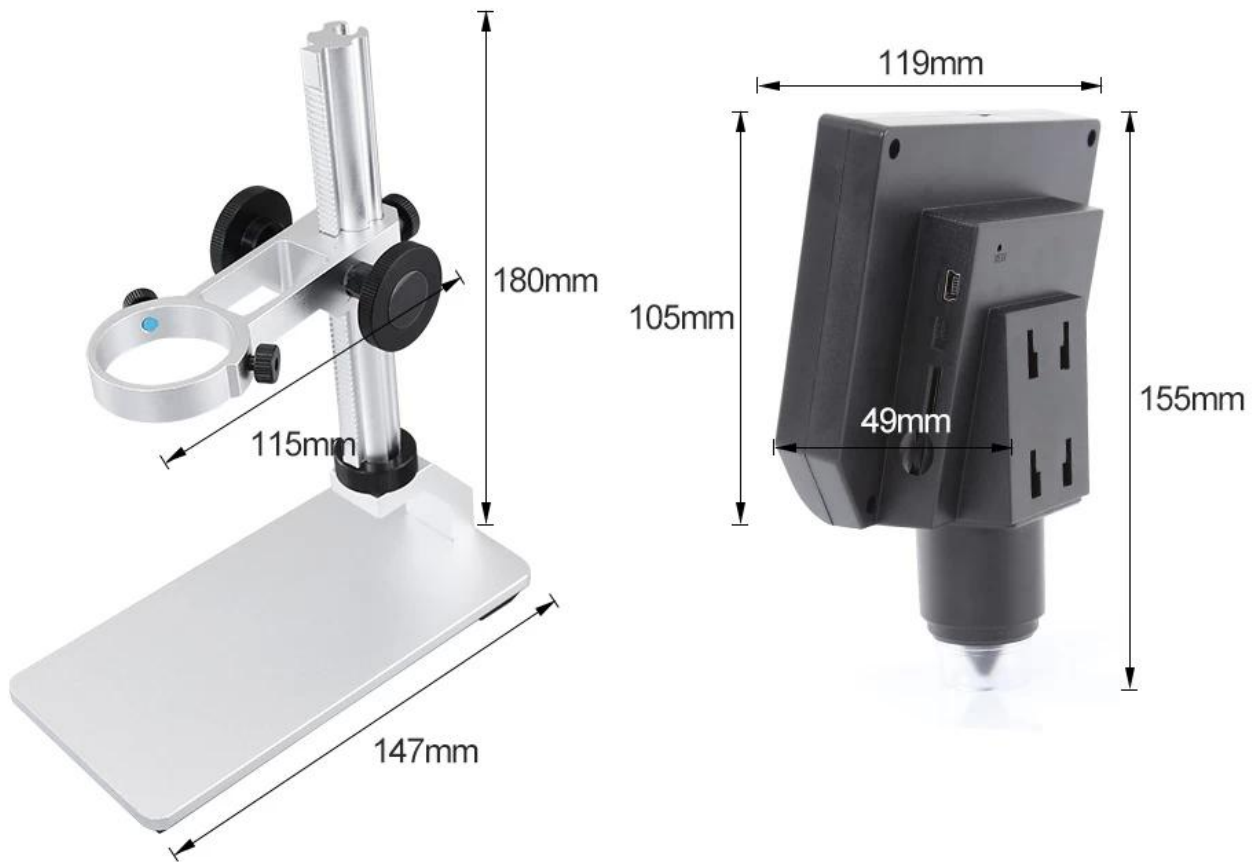




8 LED lamps(long service life)



PRODUCT SIZE



| | |
|--|-----------------------|
| Brand: BEST | Colour: silver、 black |
| Package: Box | Model:600-microscope |
| Materials: aluminum alloy+PVC | Weight: 735g |
| Accessories: adapter、 charging cable | Magnifying: 600X |
| Use: 【1】 electronic products, welding 【2】 textile Industry, Cotton Tissue Inspection 【3】 cracks in various materials of ceramic glass 【4】 making small parts for inspection | |

PRODUCT PHOTOGRAPH



PRODUCT PACKAGING

Weight: 735g

